

SPIKA Cubers



SPIKA Series offers the "Classic American" style of ice available in full and half dice shaped cubes, that will meet the most stringent demands of the food service industry.

A new revolutionary system for water distribution, patented by ITV, allows water to "cascade" over the entire evaporator, allowing SPIKA cubes to take form perfectly.

The Vertical Plate Evaporator, specially designed by ITV's engineers, is much more energy efficient than others, resulting in lower operating cost and greater savings, while maintaining the utmost environmental friendliness.

Beverages are chilled in a very short time while not affecting the taste. The SPIKA Series meets the most demanding requirements with fast ice production.



Vertical Plate Evaporator

3 YEARS
WARRANTY
PARTS & LABOR










Half dice
1/2" x 1"
1.25 x 2.5 cm









Full dice
1"x1"
2.5 x 2.5 cm








SPIKA Cubers

-  **NATURAL REFRIGERANT:** Natural gas r290 with very low global warming potential which also reduces the energy consumption.
-  **WATER DISTRIBUTOR:** Increases resistance against scale build up. Easily removable and cleanable.
-  **INLET WATER CONNECTION THROUGH EVAPORATOR:** Helps to harvest; precools water; assists energy recovery.
-  **EASY ACCESS FOR SERVICE AND INSTALLATION:** Designed to have better access to all components making installation and servicing operations easier.
-  **OPERATING LIMITS:** Tropicalized machines (Class T); Suitable for low temperature environments of 41° (5°C) Air and Water and high temperature environments of 109°F (43°C) (Air), 95°F (35°C) (Water).
Water pressure: Min. 10 psi. (0.7 bar.)/ Max. 85 psi. (6 bar.).
NOTE: Install a pressure reducer if water inlet pressure is more than 85 psi. (6 bar.).
-  **MORE ENERGY EFFICIENT:** Reducing water and electricity consumption.
-  **WARRANTY:** 36 months parts and labor + 24 additional months parts on both compressor and evaporator.

UNDER-COUNTER SERIES

-  **DUAL SWITCH:** External switch allows to turn the machine on/off easily. Removing the top cover, we have the Ice/clean cycle switch on one side of the electrical box.
-  **SEAL-LESS PUMP OUTSIDE ICE ZONE**
-  **STRONG INOX FRAME. STAINLESS STEEL CONSTRUCTION:** Box-type frame with stainless steel supports, makes the machine stronger and allows servicing operation without disassembling the entire machine.
-  **FRONT VENTILATION:** Condensing unit permits 100% front ventilation, air inflow and outflow through the front grill on under counters, thus permitting embedded installation. Airflow is rear intake and exhale on sides.
-  **INSULATED STORAGE BIN:** Storage bin with polyurethane foam insulation gives higher rigidity with lower heat transmission. Isolated but not refrigerated bins.
-  **ELECTRICAL SPECIFICATIONS:** 115V/60Hz./1 - Fuse Size 15 - Nema Plug Type 5-15P.
*Also available 208-230V/60Hz. - 220V/50Hz. (Special Order).

MODULAR SERIES

-  **22" WIDE:** Standard width for modular ice makers. Fits standard 22" Beverage Dispenser and all 22" wide Storage Bins.
-  **30" WIDE:** Standard width for modular ice makers. Fits standard 30" Beverage Dispenser and all 30" wide Storage Bins.
-  **ELECTRICAL SPECIFICATIONS:** MS 500–115V/60Hz/1–Plug 5-15P. *Also available 208-230V/60Hz–220V/50Hz. (Special Order) MS 1000–208-230V/60Hz/1–Plug 6-15P. Also available three phase.
-  **HEAVY DUTY CONSTRUCTION:** Stainless Steel construction with plastic top cover and grill.
-  **DUAL SWITCH:** A rear switch allows to turn the machine on/off easily. Remove the front cover for access to the ice/cleaning cycle switch.

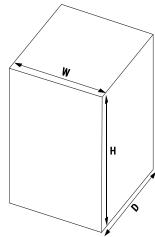
SPIKA Under-counter



Half dice
1/2" x 1"
1.25 x 2.5 cm



Full dice
1"x1"
2.5 x 2.5 cm



SPIKA NG 130			SPIKA NG 160			SPIKA NG 230			SPIKA NG 360		
W	D	H	W	D	H	W	D	H	W	D	H
21.07"	23.43"	31.07"	21.07"	23.43"	31.07"	26"	27.56"	32.76"	30"	30"	32.76"
53.5 cm	59.5 cm	78.9 cm	53.5 cm	59.5 cm	78.9 cm	66 cm	70 cm	83.2 cm	76.2 cm	76.2 cm	83.2 cm

*Dimensions do not include adjustable legs from 6" (15.2 cm.) to 6.5" (16.5 cm.)

ITEM #	COND. UNIT	CUBE STYLE	DAILY PRODUCTION LBS./KG 70°F - 50°F 90°F - 70°F 21°C - 10°C 32°C - 21°C		CUBES CYCLE	STORAGE LBS./KG.	WATER USAGE GAL./100LBS. / L./HR. 90°F - 70°F	VOLTAGE	KWH/100 LBS. - AMPS.	NET WEIGHT. LBS./KG.	SPEC SHEET
--------	------------	------------	---	--	-------------	---------------------	---	---------	-------------------------	-------------------------	------------

NG 130

NG 130 A1H	17042U	A	HALF	139/63	112/51	150	44.1/20	1.24/4.7	115V/60Hz/1	7.55-5.45	106/48	
NG 130 A1F	18042U	A	FULL	134/61	101/46	75	44.1/20	1.24/4.7	115V/60Hz/1	8.7-5.5	106/48	

A = Air, W = Water Use Item # number when ordering

Shipping Weight: 123.5 Lbs. (56 Kg.)

NG 160

NG 160 A1H	17064U	A	HALF	152/69	128/58	150	44.1/20	1.37/5.2	115V/60Hz/1	6.78-5.2	106/48	
NG 160 A1F	18064U	A	FULL	159/72	117/53	75	44.1/20	1.37/5.2	115V/60Hz/1	7.28-5.2	106/48	

A = Air, W = Water Use Item # number when ordering

Shipping Weight: 123.5 Lbs. (56 Kg.)

NG 230

NG 230 A1H	17094U	A	HALF	231/105	176/80	240	77/35	2.56/9.7	115V/60Hz/1	5.28-5.2	141.10/64	
NG 230 A1F	18094U	A	FULL	223/101	157/71	120	77/35	2.56/9.7	115V/60Hz/1	5.96-5.2	141.10/64	

A = Air, W = Water Use Item # number when ordering

Shipping Weight: 167.55 Lbs. (76 Kg.)

NG 360

NG 360 A1H	17144U	A	HALF	342/155	293/133	288	99/45	3.04/11.5	115V/60Hz/1	6.10-8.9	163.14/74	
NG 360 A1F	18144U	A	FULL	340/154	273/124	144	99/45	3.04/11.5	115V/60Hz/1	6.37-8.9	163.14/74	

A = Air, W = Water Use Item # number when ordering

Shipping Weight: 187.40 Lbs. (85 Kg.)

OPTIONAL

ONE FOOT PAD	ITEM #4144
ONE BLACK FLOOR ANCHORING LEG	ITEM #34888
ONE INOX FLOOR ANCHORING LEG	ITEM #34889

