

500R / 1000R



REMOTE SPIKA MS

ITV
ICE makers



DESPIECE / REPUESTOS
EXPLODED VIEW / SPARE PARTS
EXPLOSIONSZEICHNUNG / ERSATZTEILE
VUE ÉCLATÉE / PIÈCES DÉTACHÉES
ESPLOSO / RICAMBI

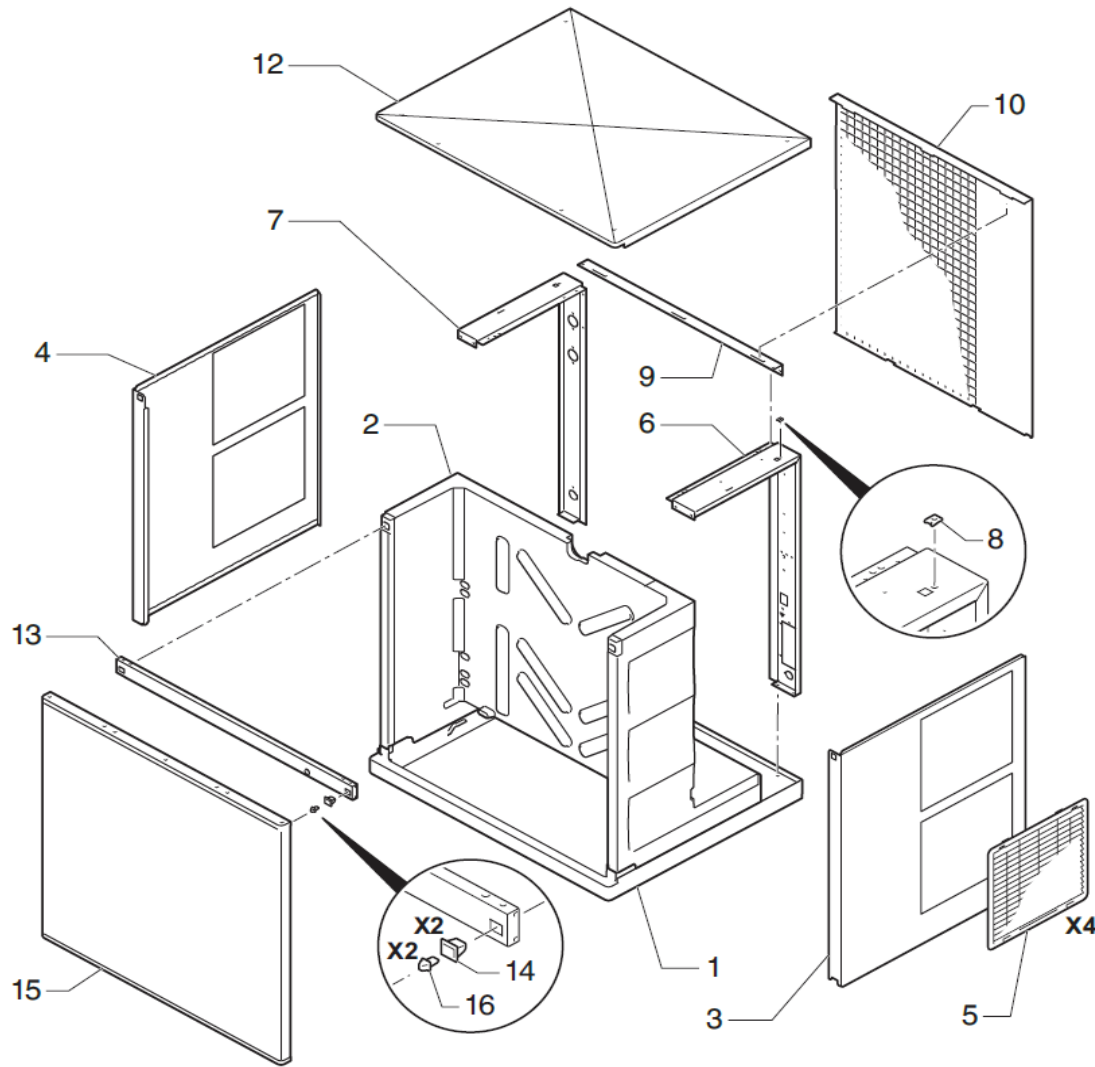
ITV | ICE makers **SERVICE** 

CABINET

500R / 1000R



REMOTE SPIKA MS



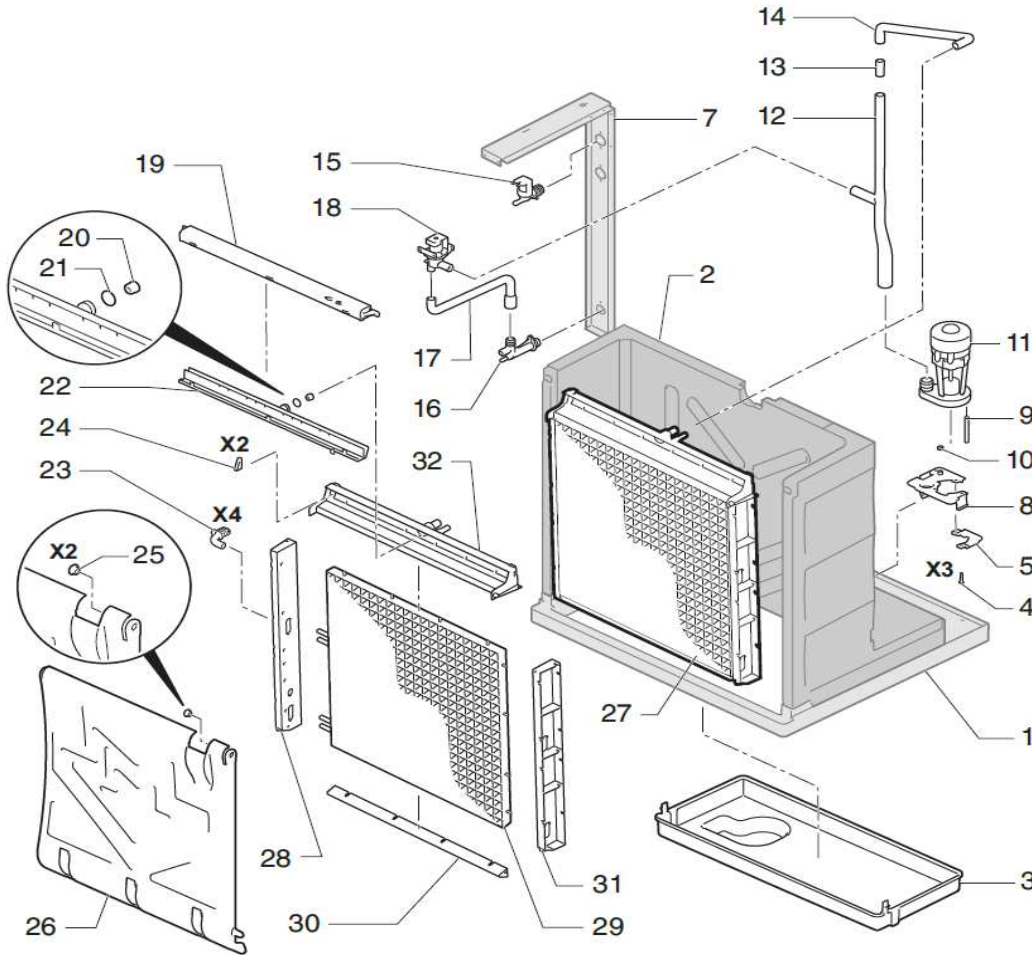
DESCRIPTION			
		MSR 500	MSR 1000
1	BASE PLAT	6074	6074
2	INSULATED BODY	6342	6343
3	RIGHT SIDE PANEL	6327	6329
4	LEFT SIDE PANEL	6328	6330
5	SIDE GUARD	6084	6084
6	RIGHT BRACKET	6319	6320
7	LEFT BRACKET	6325	6324
8	FAST NUT	311	311
9	UPPER REAR BRACKET	6321	6321
10	REAR PANEL	6315	6316
12	TOP PANEL	6073	6073
13	FRONT BRACKET	6331	6331
14	FEMALE PANEL CLIP	6180	6180
15	FRONT PANEL	6269	6270
16	MALE PANEL CLIP	6181	6181

MANUFACTURING CONTAINER

500R / 1000R



REMOTE SPIKA MS



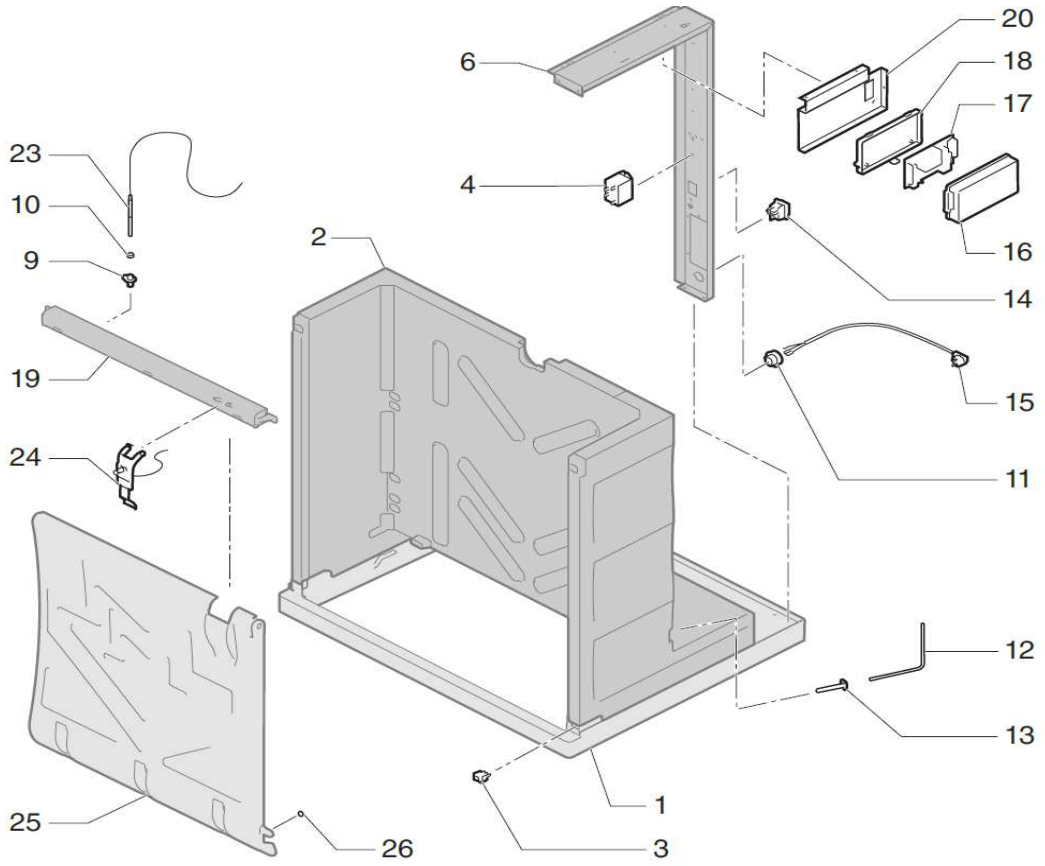
DESCRIPTION		MSR 500	MSR 1000
1	BASE PLATE	6074	6074
2	INSUALTED BODY	6342	6343
3	WATER BIN	6078	6078
4	INOX SCREW M5x20	7931	7931
5	PUMP BRACKET TERMINATION	6106	6106
7	LEFT BRIDGE	6325	6324
8	PUMP BRACKET	6079	6079
9	PUMP EARTHING CABLE	6454	6454
10	COMPRESSING RING	504	504
11	WATER PUMP	115V/60hz 220V/50-60HZ	6508 -
12	BOTTOM TUBE	6130	6130
13	CONNECTION TUBE	6526	6526
14	TOP TUBE	6129	6129
15	WATER VALVE 220V/50-60HZ UL	-	8963
15	WATER VALVE 115V/50-60HZ UL	7687	-
16	DRAIN MANIFOLD	6206	6206
17	DRAIN TUBE	6131	6131
18	WATER DRAIN VALVE 220V/50-60HZ	6182	6183
19	DISTRIBUTOR COVER	30039	30039
19	GREY DISTRIBUTOR COVER	30039G	30039G
20	FLOW REDUCER 7MM	6414	6414
21	FLOW REDUCER 9MM	6485	6485
21	O-RING	4496	4496
22	DISTRIBUTOR	30039	30039
22	GREY DISTRIBUTOR	30039G	300039G
23	TUBE PROTECTION	6132	6132
24	DISTRIBUTOR GASKET	6456	6456
25	BEARING	1001	1001
26	CURTAIN	6081	6080
27	COMPLETE EVAPORATOR DICE 1"	6337	6339
27	COMPLETE EVAPORATOR DICEO 1/2"	6338	6340
28	EVAPORATOR LEFT PANEL	2982	2978
29	NICKEL-PLATED EVAPORATOR DICE 1"	5747	5753
29	NICKEL-PLATED EVAPORATOR DICE 1/2"	5744	5750
30	EVAPORATOR BOTTOM PANEL	6086	6086
31	EVAPORATOR RIGHT PANEL	2981	2977
32	EVAPORATOR TOP PANEL	6085	6085

ELECTRIC BOX

500R / 1000R



REMOTE SPIKA MS



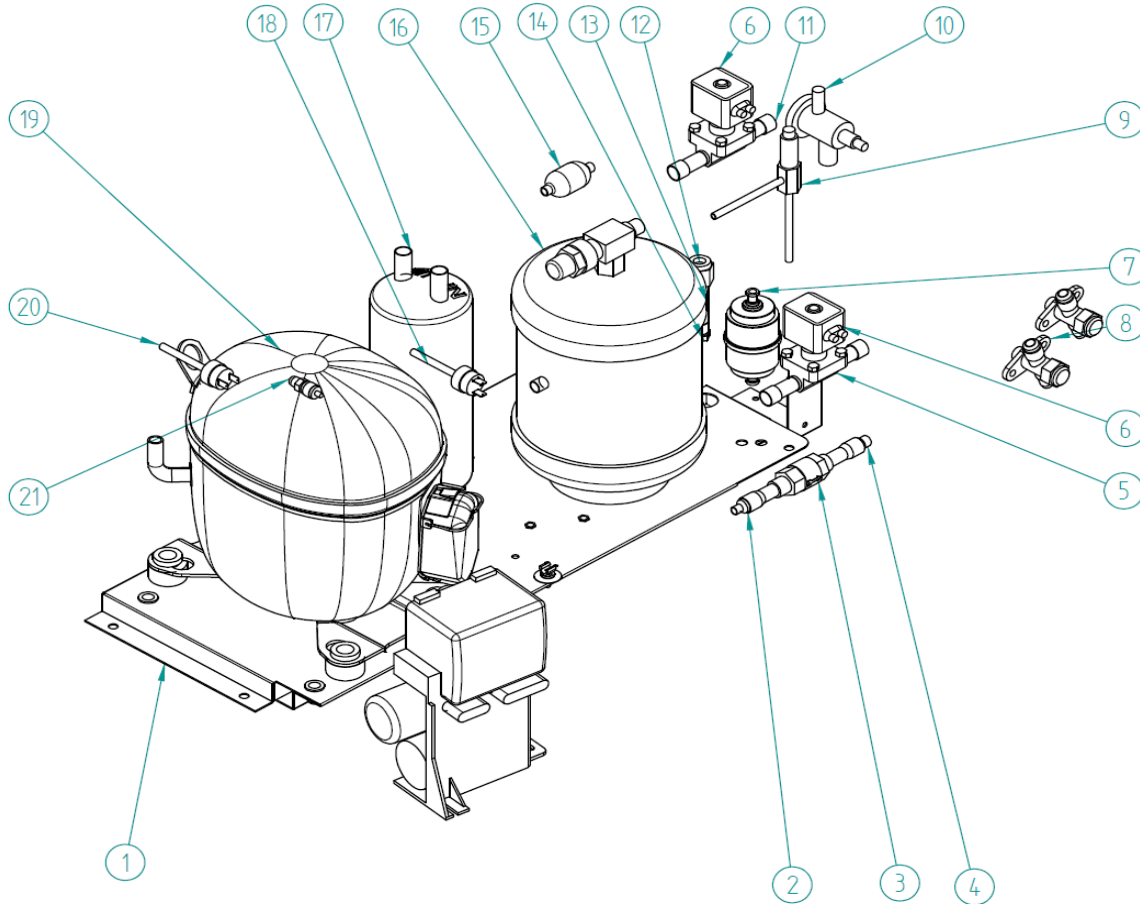
DESCRIPTION		MSR 500	MSR 1000
1	BASE PLATE	6074	6074
2	INSULATED BODY	6342	6343
3	SWITCH (ICE-OFF-WASH)	6161	6161
4	STARTER RELAY 220V	-	2968
5	STARTER RELAY 115V	3235	-
6	RIGHT BRIDGE	6319	6320
9	LEVEL PROBE BRACKET	8670	8670
10	COMPRESSING RING	504	504
11	CABLE RESTRAINT	-	4907
12	CURTAIN PROBE	6521	6521
13	CURTAIN PROBE BLOCK	8671	8671
14	ON/OFF SWITCH	2287	2287
15	ELECTRIC SUPPLY WIRE 220V/60HZ	-	3675
16	ELECTRIC BOX COVER	30861	30861
17	ELECTRONIC BOARD 220V/50-60HZ	-	6252A
17	ELECTRONIC BOARD 115V/50-60HZ	6253A	-
17	ELECTRONIC BOARD BEFORE S/N 17736480	30923	30922
18	ELECTRIC BOX	2181	2181
19	DISTRIBUTOR COVER	30039	30039
20	ELECTRIC BOX BRACKET	6138	6138
23	WATER LEVEL PROBE	30982	30982
24	THICKNESS ICE PROBE	6334	6334
25	CURTAIN	6081	6080
26	MAGNET	6179	6179

AIR CONDENSER

500R



REMOTE SPIKA MS



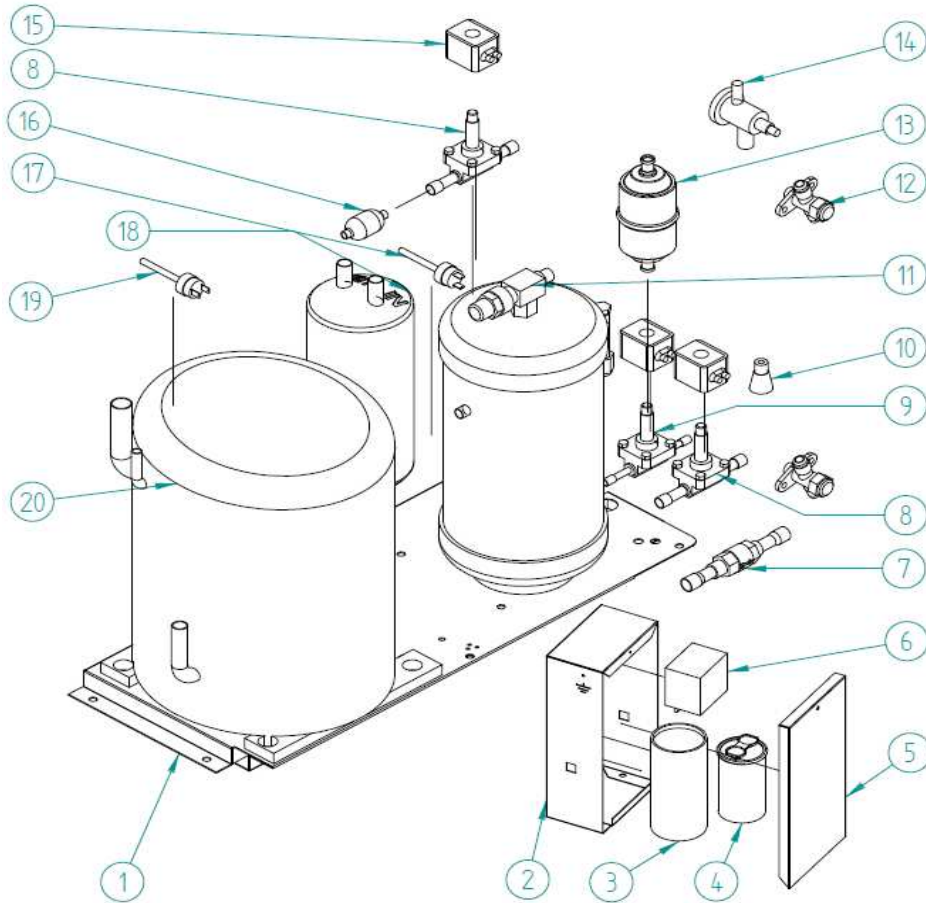
DESCRIPTION		MS 500
1	BASE PLATE	6652
2	REDUCTION SLEEVE 1/2x1/4	7923
3	ONE WAY CHECK VALVE 1/2"	7906
4	REDUCTION SLEEVE 1/2x3/8	7924
5	SOLENOID VALVE 1/2"	6396
6	COIL	5173
7	DRIER	2560
8	CASTEL VALVE 3/8"	3397
9	SOLENOID VALVE PARKER 127ALS	762
10	EXPANSION VALVE	1035
11	PARKER SOLENOID VALVE 1/2"	7897
12	3/8" NUT	426
13	T FOR LIQUID RECEIVER	7901
14	SECURITY VALVE	8324
15	NET FILTER	448
16	LIQUID RECEIVER	8040
17	SUCTION RECIPIENT	8089
18	HIGH PRESSURE SWITCH	334
19	COMPRESSOR	6394
20	LOW PRESSURE SWITCH	8266
21	1/4" CHARGING VALVE	33

AIR CONDENSER

1000R



REMOTE SPIKA MS



DESCRIPTION		MS 1000
1	BASE PLATE	6652
2	COMPRESSOR ELECTRIC BOX	6637
3	RUN CAPACITOR	6610
4	START CAPACITOR	6609
5	ELECTRIC BOX COVER	6638
6	POWER RELAY	6611
7	ONE WAY VALVE 1/2"	7906
8	SOLENOID VALVE 3/8"	843
9	SOLENOID VALVE 1/4"	6396
10	-	3066
11	LIQUIDO RECEIVER	832
12	CASTEL VALVE 3/8"	339
13	DRIER	3064
14	EXPANSION VALVE	1035
15	COIL	5173
16	NET FILTER	448
17	HIGH PRESSURE SWITCH	334
18	SUCTION SEPARATOR	7902
19	LOW PRESSURE SWITCH	8226
20	COMPRESSOR	6607