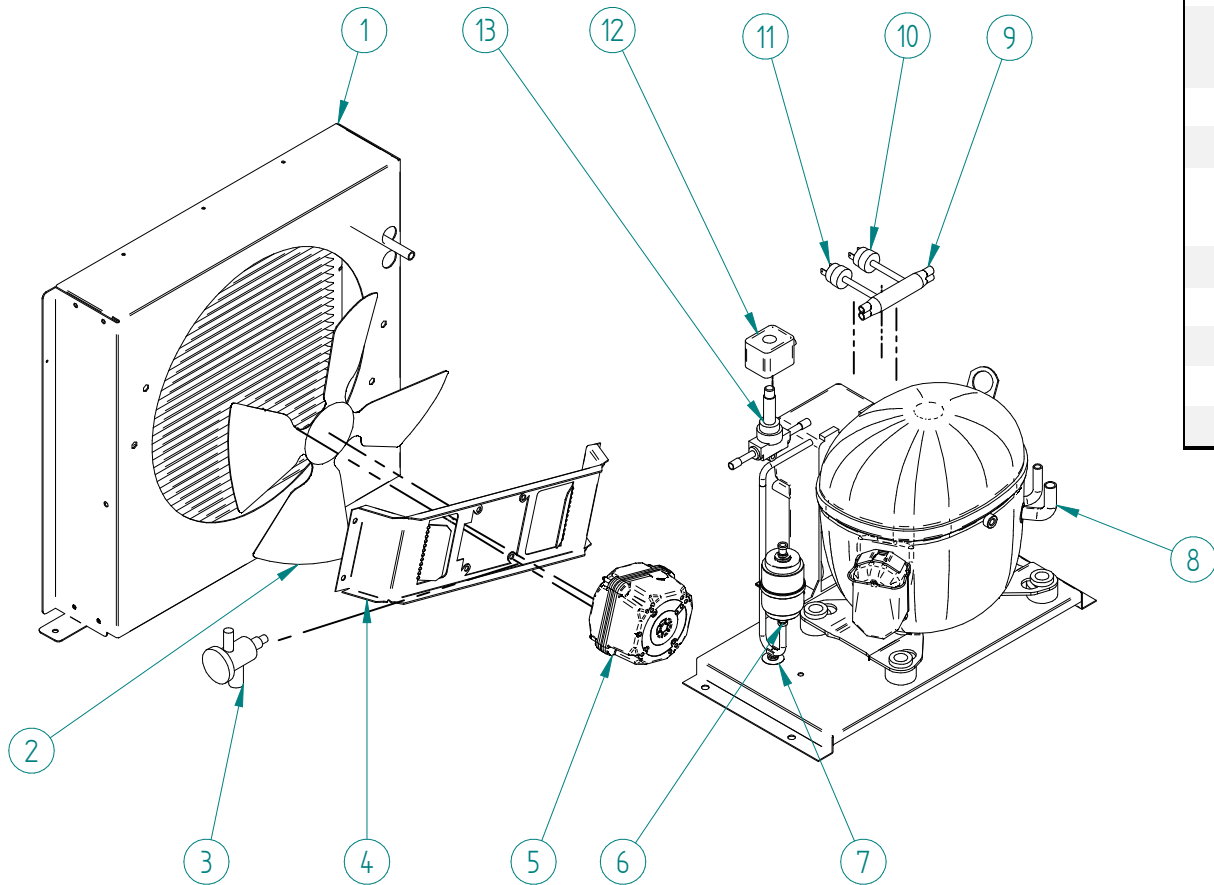
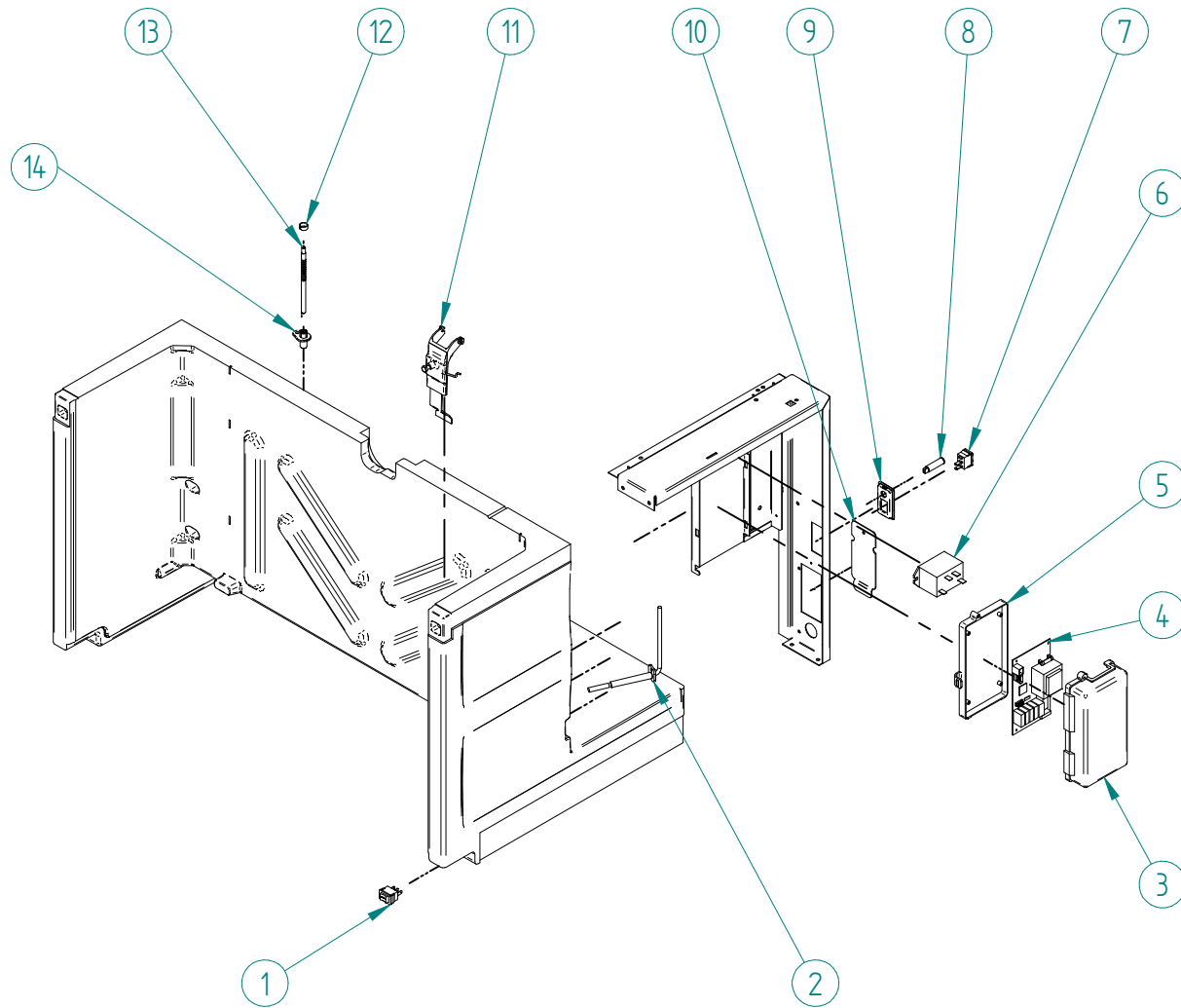


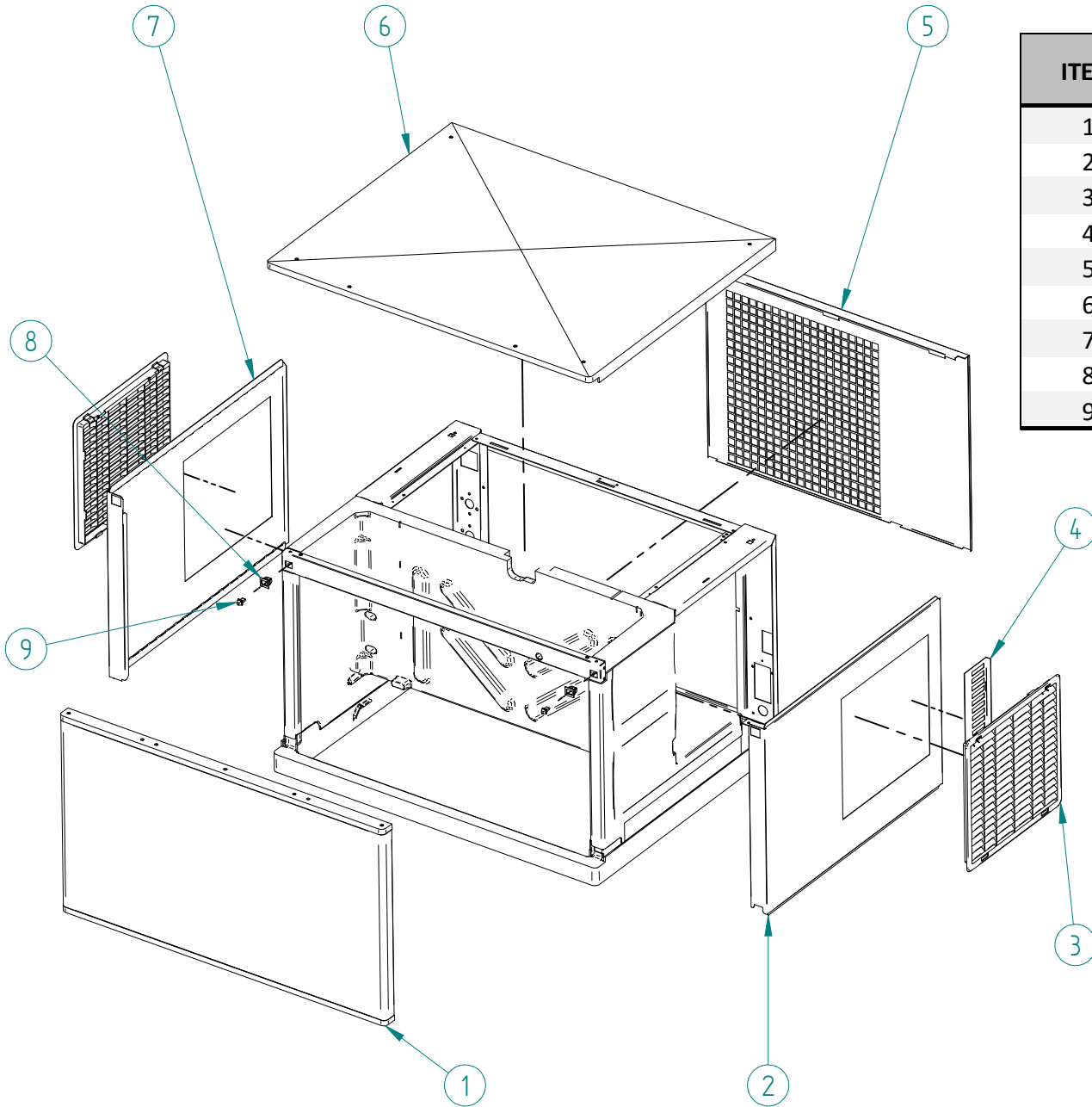
DESPIECE / REPUESTOS  
EXPLODED VIEW / SPARE PARTS  
EXPLOSIONSZEICHNUNG / ERSATZTEILE  
VUE ÉCLATÉE / PIÈCES DÉTACHÉES  
ESPLOSO / RICAMBI



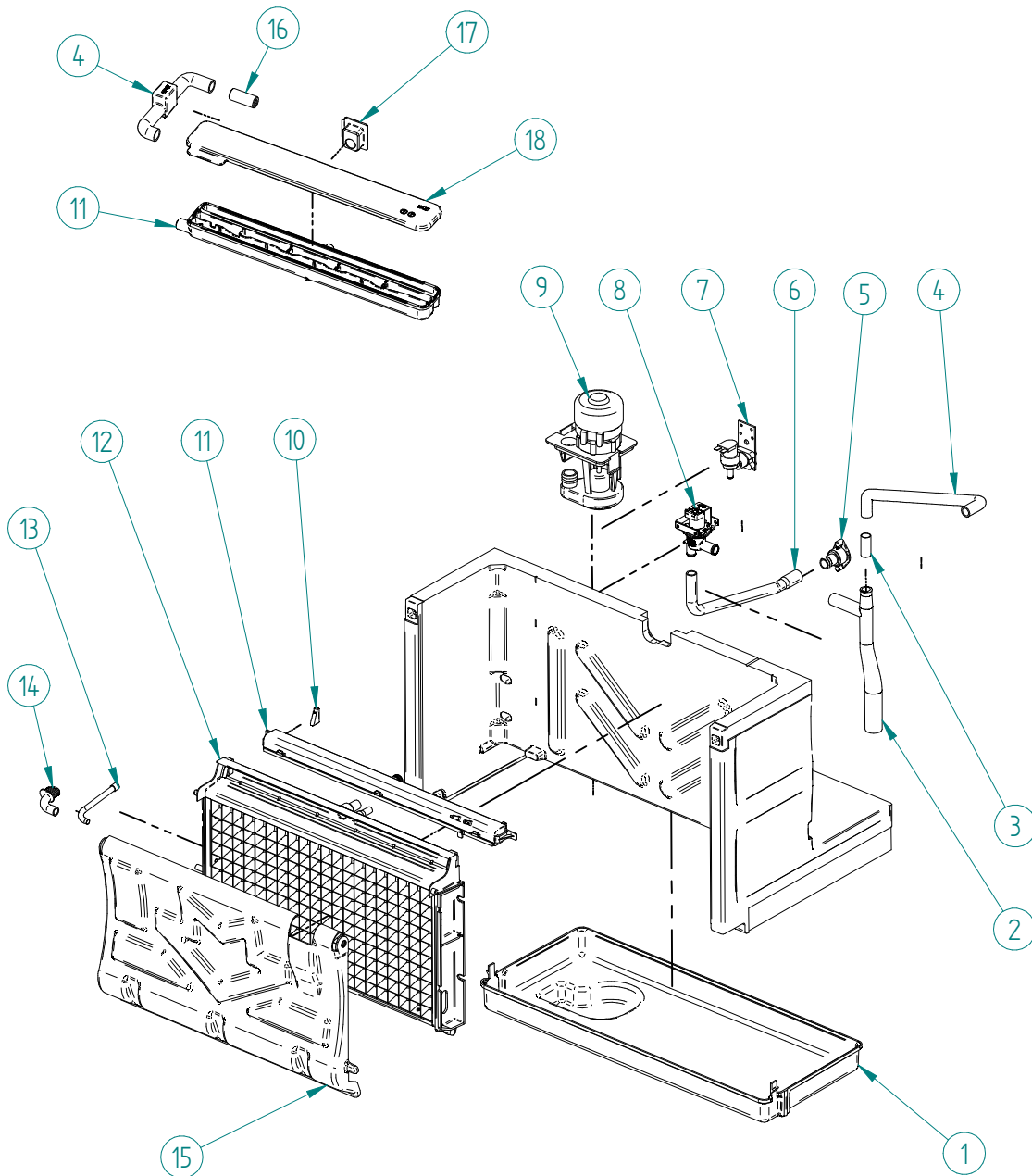
ITEM	DESCRIPTION	22"	30"
		MS 400	MS 500
1	AIR CONDENSER	32836	32846
2	FAN BLADE	6398	
3	EXPANSION VALVE	31524	
4	FAN SUPPORT	65001	6500U
5	FAN MOTOR 115V/60HZ	32655	
	FAN MOTOR WIRE 115V/60HZ	32657	
6	DRIER FILTER	7896	2560
7	PLASTIC CLIP 1/4"	3533	
8	COMPRESSOR 115V/60HZ	31457	31456
	COMPRESSOR ELECTRIC KIT	31457EK	31456EK
9	PRESSURE SWITCH COLLECTOR	N/A	31444
10	HIGH PRESSURE SWITCH	31660E	
11	FAN CONTROL PRESSURE SWITCH	31160E	
12	HOT GAS VALVE - COIL	5414	
13	HOT GAS VALVE - BODY	6396	



ITEM	DESCRIPTION	22"	30"
		MS 400	MS 500
1	SWITCH (ICE-STANDBY-WASH)	6161	
2	CURTAIN SENSOR	6521A	
3	ELECTRIC BOX COVER	30861	
4	ELECTRONIC BOARD 115V/60HZ	6253D	
5	ELECTRIC BOX	2181	
6	RELAY 115V/60HZ	32501	
7	MAIN SWITCH	32416	
8	BLUE LED	32415	
9	MAIN SWITCH SUPPORT	32441	
10	JUNCTION BOX COVER	32349	31921
11	THICKNESS ICE BLOCK SENSOR	30894	6334
12	COMPRESSING RING	504	
13	ISOLATED WATER LEVEL SENSOR	30982	
14	SUPPORT WATER LEVEL SENSOR	8670	



ITEM	DESCRIPTION	22"	30"
		MS 400	MS 500
1	FRONT PANEL	30749	6269
2	RIGHT PANEL	30747	6327
3	SIDE LOUVER	30424	6084
4	WIRE PROTECTION GRILL	30908	32835
5	REAR PANEL	30746	6315U
6	TOP PANEL	30423	6073
7	LEFT PANEL	30748	6328
8	FEMALE PANEL CLIP	6180	
9	MALE PANEL CLIP	6181	



SPIKA MS R290 115/60			
ITEM	DESCRIPTION	22"	30"
		MS 400	MS 500
1	WATER BIN	30413	6078
2	LOWER WATER PUMP DISCHARGE TUBE	30469	6130
3	WATER PUMP DISCHARGE TUBES JUNCTION	N/A	6526
4	UPPER WATER PUMP DISCHARGE TUBE	30684	6129
5	DRAIN FITTING	31723	
6	DRAIN TUBE	31846	31845
7	INLET WATER VALVE 115V/60HZ	31810	
8	WATER DRAIN VALVE 115V/60HZ	6182	
9	WATER PUMP 115V/60HZ	6508	
10	DISTRIBUTOR JOINT	N/A	6456
11	WATER DISTRIBUTOR	30422	30039G
12	EVAPORATOR FULL DICE ASSY	31947	6337
	EVAPORATOR HALF DICE ASSY	31933	6338
13	PIPE	30690	3363
14	PIPE PROTECTION	30683	6132
15	CURTAIN	32252K	6081K
16	WATER FLOW RESTRICTOR 7mm	30784	
17	WATER DISTRIBUTOR PROTECTION	30682	N/A
18	WATER DISTRIBUTOR COVER	30427	