

IQN/F R404A

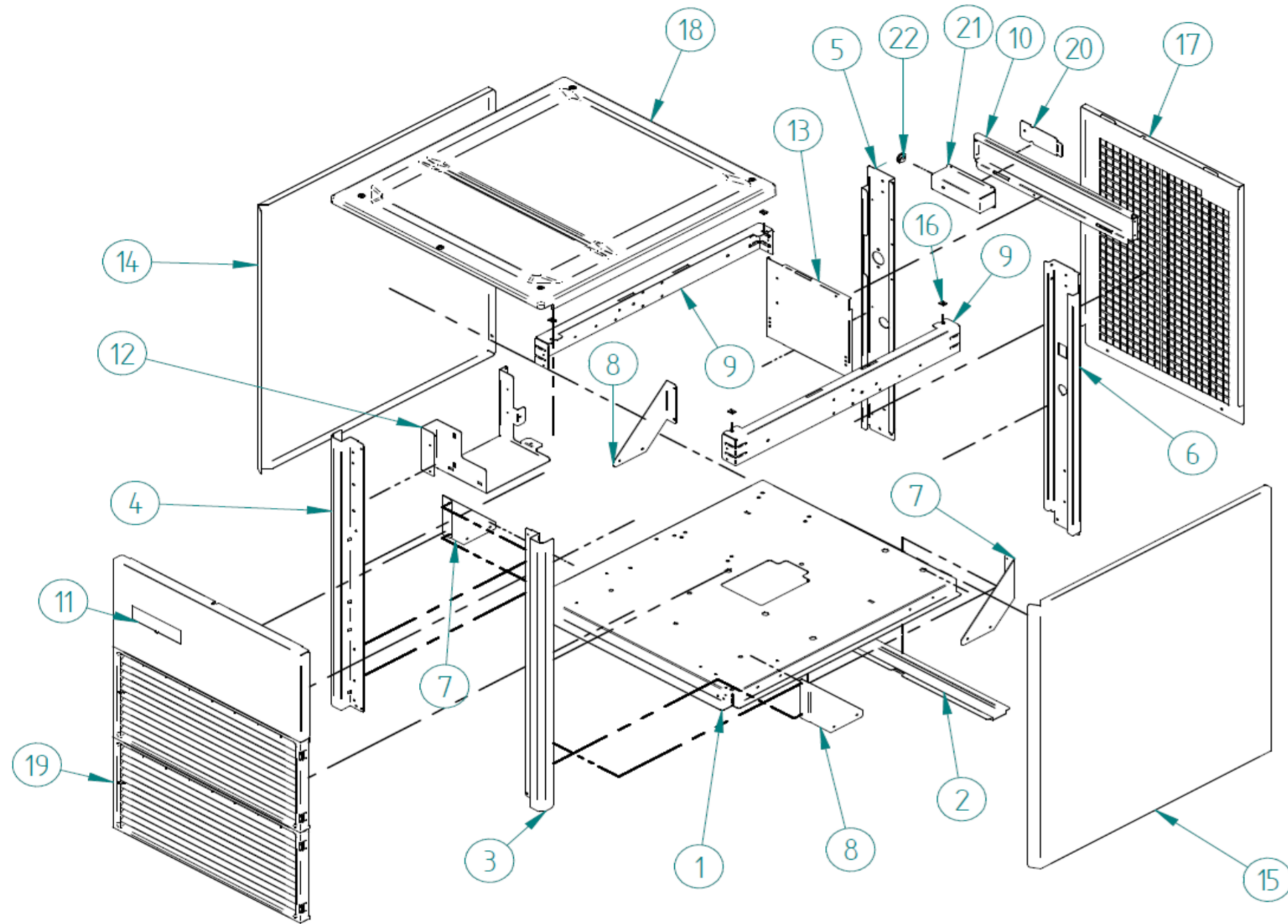
ITV
ICE makers



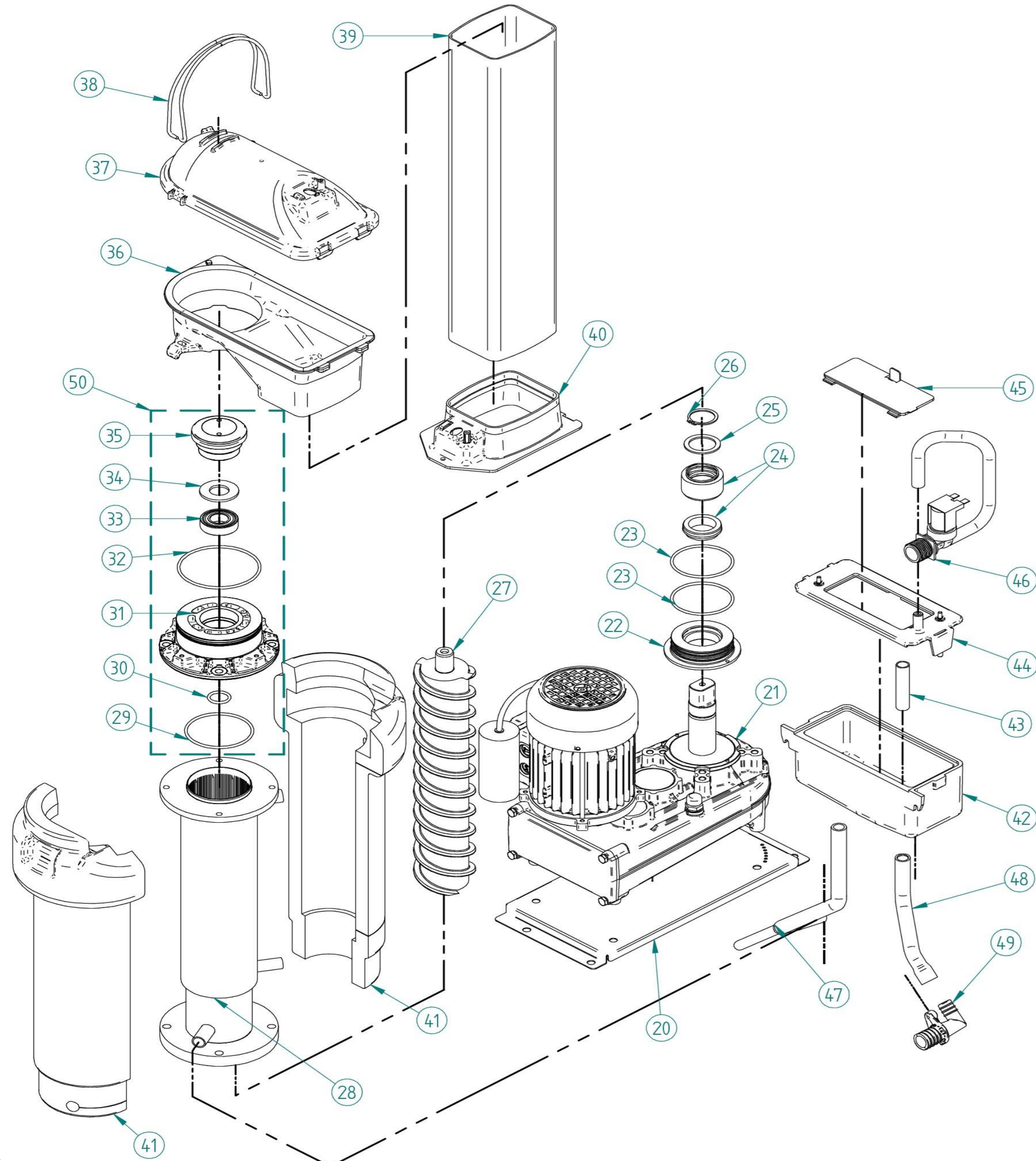
DESPIECE / REPUESTOS
EXPLODED VIEW / SPARE PARTS
EXPLOSIONSZEICHNUNG / ERSATZTEILE
VUE ÉCLATÉE / PIÈCES DÉTACHÉES
ESPLOSO / RICAMBI

CABINET

IQN/F R404A



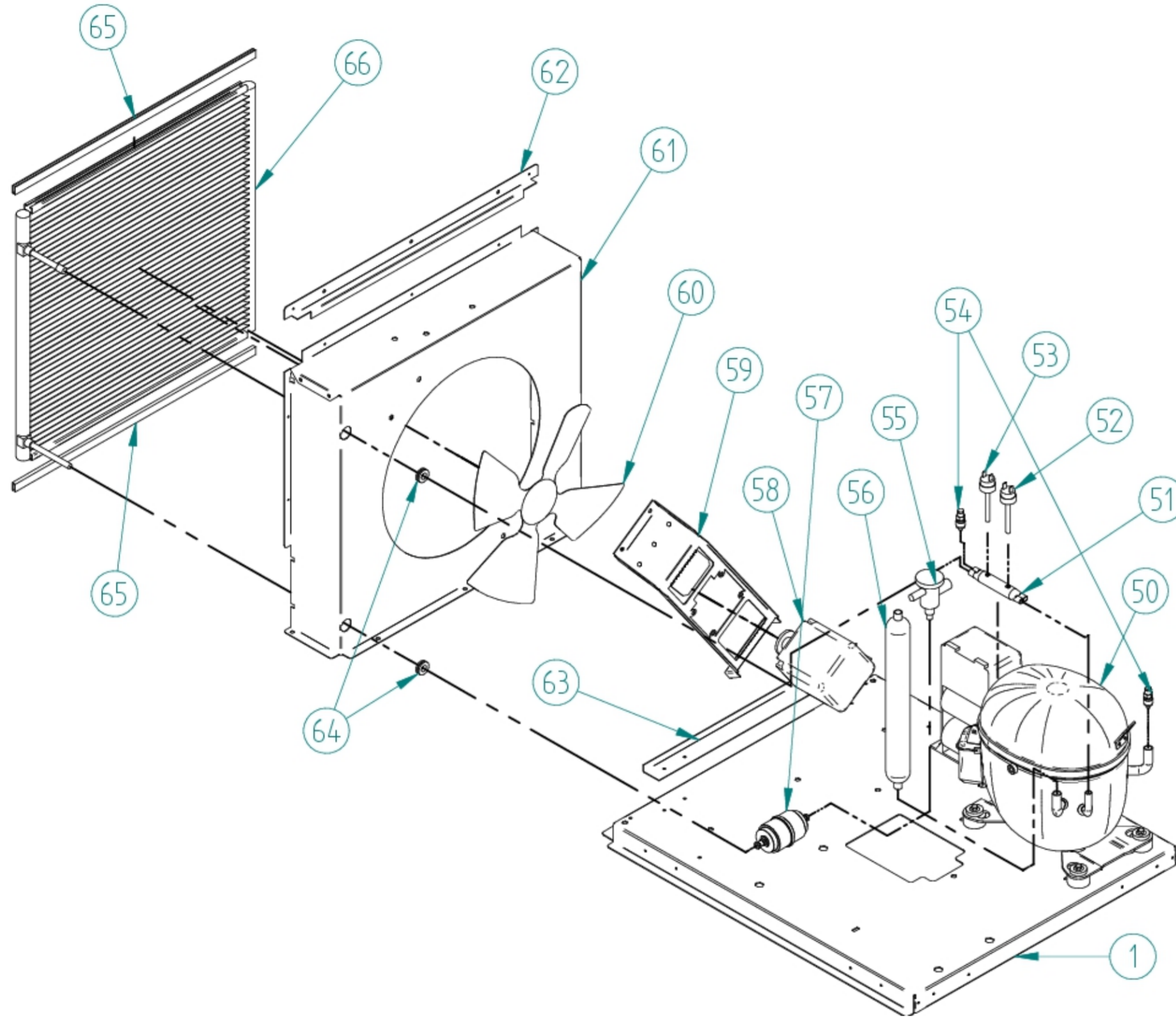
ITEM	DESCRIPTION	IQN/F 700 115V/60HZ	IQN/F 900 115V/60HZ	IQN/F 1200 220V/60HZ
1	BENCH		31463	
2	OMEGA BENCH		31504	
3	RIGHT SUPPORT		31464	
4	LEFT SUPPORT		31465	
5	LEFT REAR SUPPORT UL		31916	
6	RIGHT REAR SUPPORT UL		32202	
7	SUPPORT REINFORCEMENT		31468	
8	SUPPORT REINFORCEMENT		31469	
9	SIDE REINFORCEMENT		31470	
10	REAR SUPPORT REINFORCEMENT UL		31919	
11	TOP SUPPORT		31473	
12	ELECTRICAL BOX SUPPORT		31483	
13	WATER BIN SUPPORT	31477		32500
14	LEFT PANEL		31475	
15	RIGHT PANEL		31474	
16	NUT		311	
17	REAR PANEL		31476	
18	TOP PANEL		30423	
19	AIR GRID		4186	
20	POWER SUPPLY COVER UL		31921	
21	POWER SUPPLY BOX UL		31920	
22	RUBBER GROMMET		373	



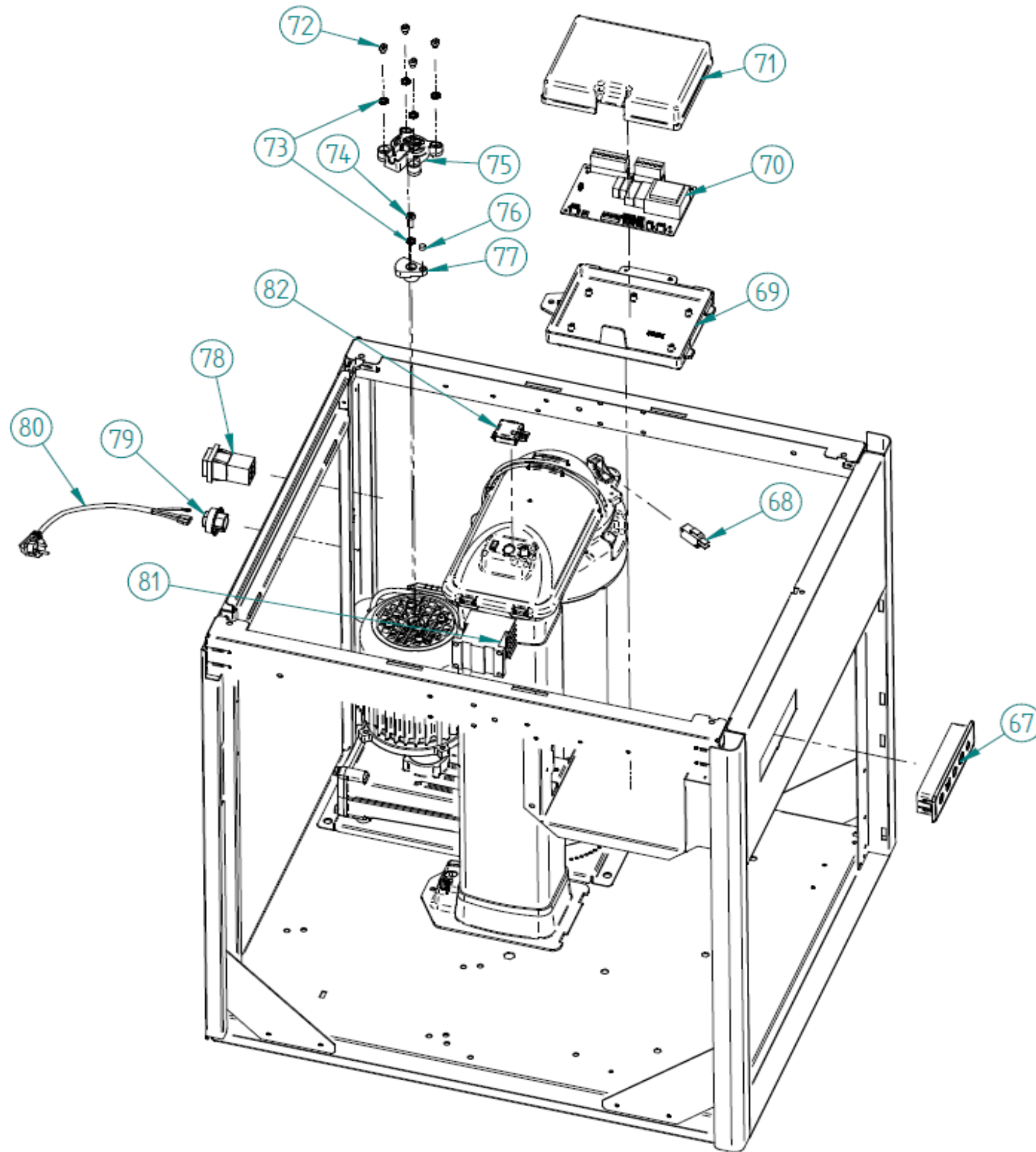
ITEM	DESCRIPTION	IQN/F 700 115V/60HZ	IQN/F 900 115V/60HZ	IQN/F 1200 220V/60HZ
20	GEAR MOTOR SUPPORT (*consult serial number)	31484 / 33672		
21	GEAR MOTOR (*consult serial number)	30563B / 33676A		30249C / 30356
22	EVAPORATOR SUPPORT	30435		32368
23	O-RING	30492		32369
24	MECHANICAL CLOSING	8962		
25	WASHER	30576		
26	SEEGER WASHER	8957		
27	AUGER	30436		30006
28	EVAPORATOR	31604		32374
29	O-RING	30496A		8954
30	O-RING	30494A		8953A
31	FLAKER EXTRUDER (IQF) NUGGETS EXTRUDER (IQN)	30589		31245A
		31242		31244A
32	O-RING	8954		
33	BEARING	30495		32370
34	FLAT WASHER	30577		32371
35	FLAKER ICE BREAKER (IQF) NUGGETS ICE BREAKER (IQN)	30590		31425
		30444		31424
36	ICE EXIT	30452		
37	ICE EXIT COVER	30445A		
38	O-RING	30499A		
39	ICE EXIT CHUTE	33266		33267
40	ICE EXIT CHUTE SUPPORT	30791		
41	EVAPORATOR INSULATION	31247		31777
42	WATER TANK	1966A		
43	OVERFLOW TUBE	31781		
44	WATER TANK COVER	30432		
45	COVER	1968G		
46	WATER INLET	31812		31813
47	WATER INLET PIPE	30855		
48	DRAIN PIPE UL	31796		
49	DRAIN CONNECTOR UL	31723		
50	CONVERSION KIT OF IQN INTO IQF	32956		32958
	CONVERSION KIT OF IQF INTO IQN	32957		32959

AIR CONDENSER UNIT

IQN/F R404A



ITEM	DESCRIPTION	IQN/F 700 115V/60HZ	IQN/F 900 115V/60HZ	IQN/F 1200 220V/60HZ
1	BENCH	31463		
50	COMPRESSOR	32157	30692	8304
	COMPRESSOR ELECTRIC KIT	32157EK	30692EK	
51	PRESSURE SWITCH COLLECTOR	31444		32695
52	HIGH PRESSURE SWITCH	334		
53	CONDENSATION PRESSURE SWITCH	7476E		7476
54	CHARGE VALVE	335		
55	EXPANSION VALVE	1035		
56	FILTER SEPARATOR	6805		8185
57	DRIER	2560		
58	FAN MOTOR	8096		4894
59	FAN SUPPORT	31751		33197
60	FAN BLADE	6398		
61	CONDENSER BAFLE	31748		-
62	UPPER CONDENSER REINFORCEMENT	31749		-
63	LOWER CONDENSER REINFORCEMENT	31750		-
64	RUBBER GROMMET	31746		-
65	RUBBER REINFORCEMENT	31747		-
66	CONDENSER	31683		30571A



ITEM	DESCRIPTION	IQN/F 700	IQN/F 900	IQN/F 1200
		115V/60HZ	115V/60HZ	220V/60HZ
67	LED PANEL		30566A	
68	ICE FULL MICRO SWITCH		31482	
69	ELECTRIC BOX		30792	
70	ELECTRONIC BOARD		30565A	30564D
71	ELECTRIC BOX COVER		31274	
72	SCREW		2595	
73	WASHER		291	
74	SCREW		47743	
75	ROTATION SENSOR		30568	
76	MAGNET		30448	
77	MAGNET SUPPORT		30449	
78	SWITCH		31496	
79	CABLE RESTRAINER		-	
80	POWER CORD		-	
81	CONTACTOR		30026	1002A
82	STOCK ICE SENSOR		33141	