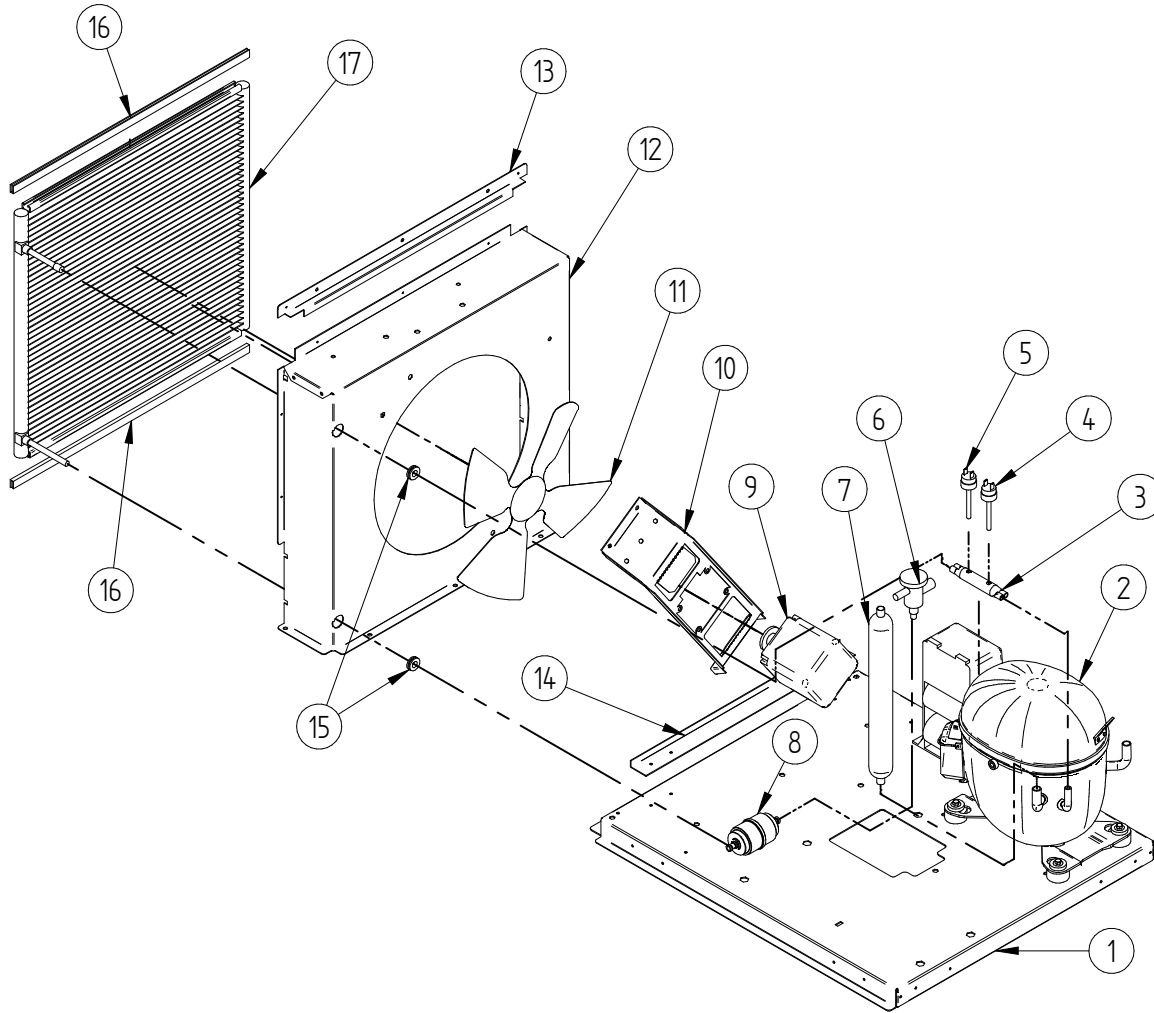
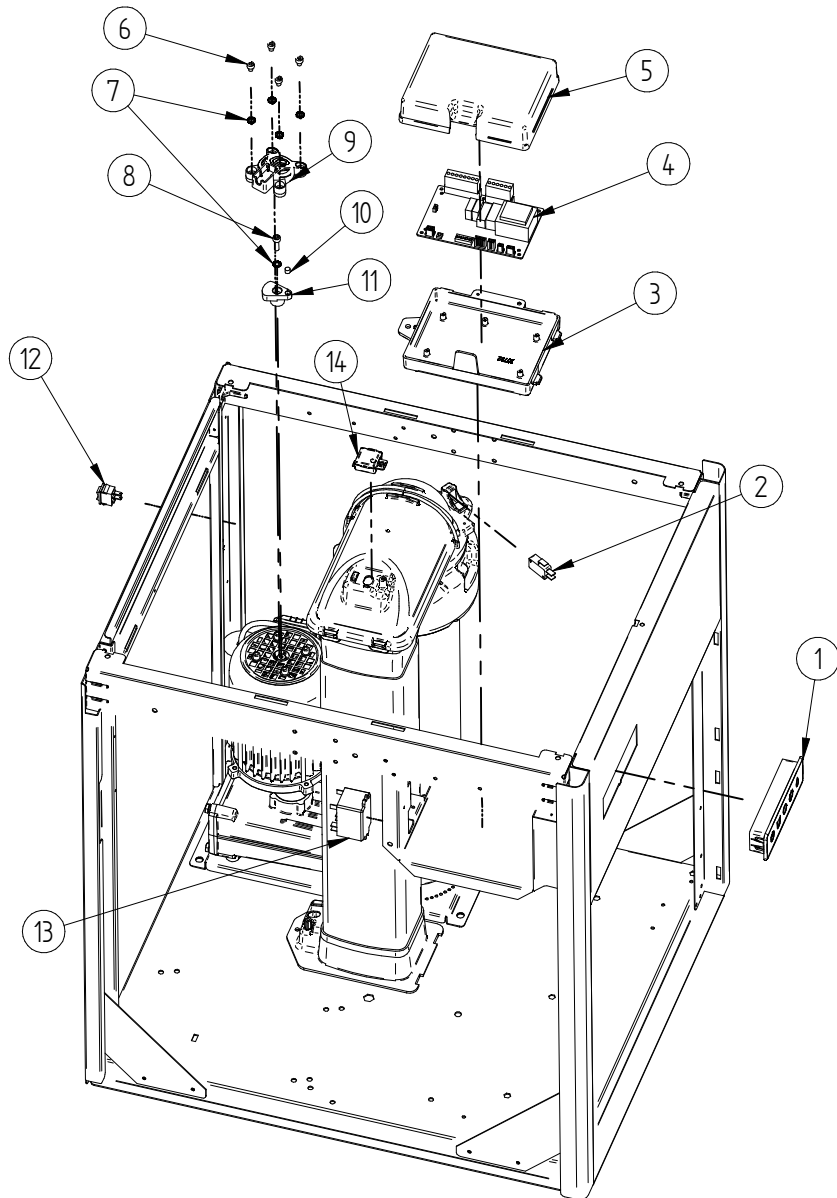




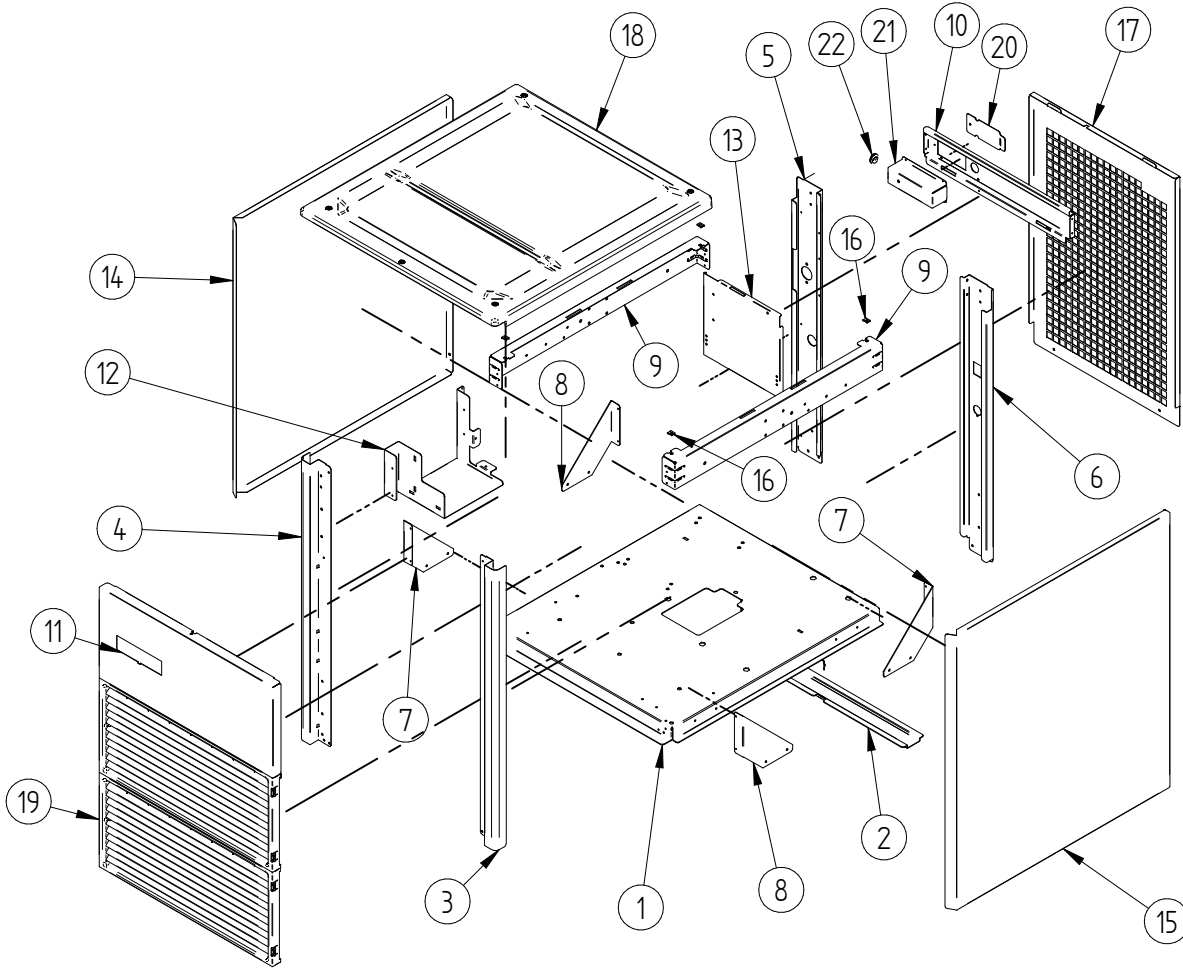
DESPIECE / REPUESTOS
EXPLODED VIEW / SPARE PARTS
EXPLOSIONSZEICHNUNG / ERSATZTEILE
VUE ÉCLATÉE / PIÈCES DÉTACHÉES
ESPLOSO / RICAMBI



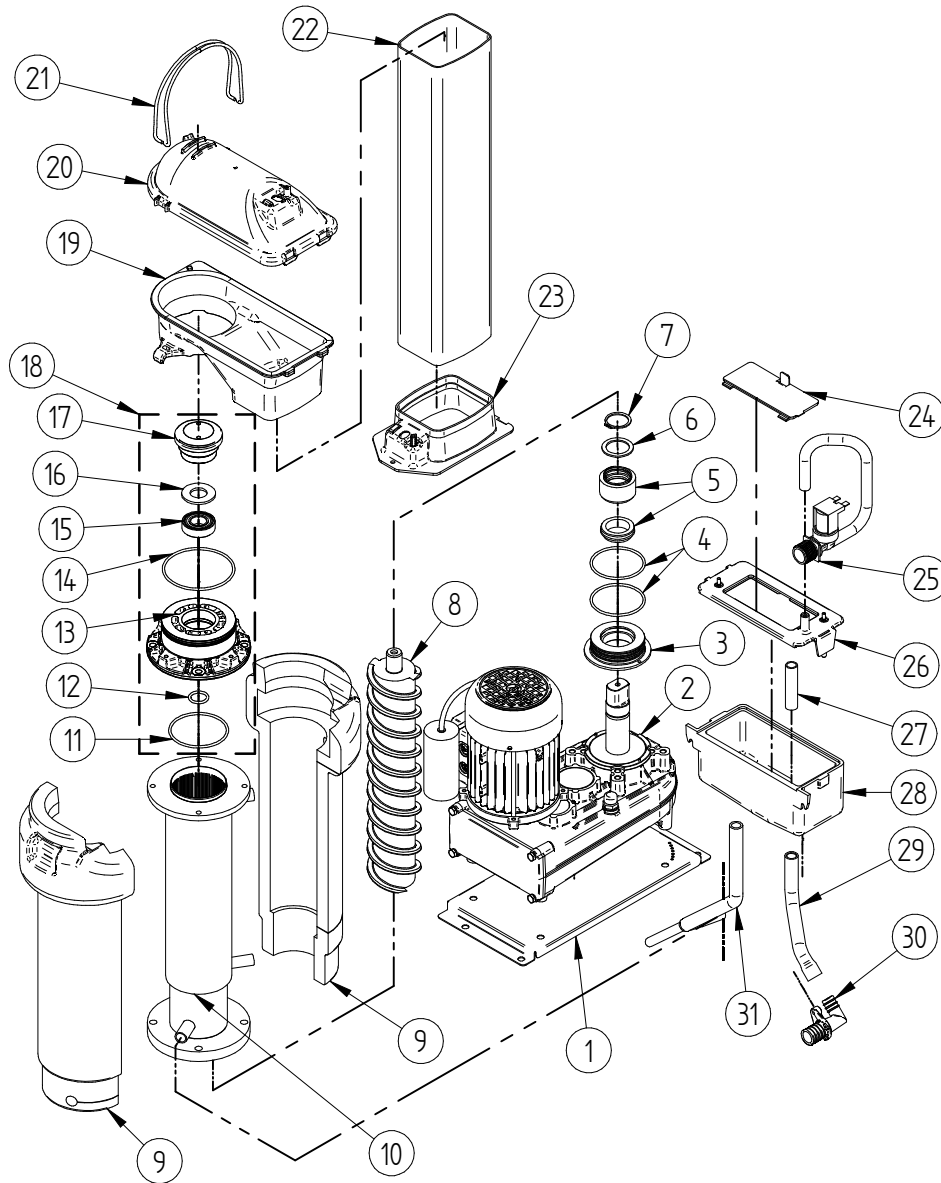
ITEM	DESCRIPTION	IQN/F 700 115V/60HZ
1	BENCH	31463
2	COMPRESSOR 115V/60HZ	31457
	COMPRESSOR ELECTRIC KIT	31457EK
3	PRESSURE SWITCH COLLECTOR	31444
4	HIGH PRESSURE SWITCH	31660E
5	CONDENSATION PRESSURE SWITCH	31160E
6	EXPANSION VALVE	31524
7	SUCTION ACCUMULATOR	6805
8	DRIER FILTER	2560
9	FAN MOTOR 115V/60HZ + WIRE	32895+35130
10	FAN SUPPORT	32653
11	FAN BLADE	6398
12	CONDENSER BOX	31748
13	UPPER CONDENSER REINFORCEMENT	31749
14	LOWER CONDENSER REINFORCEMENT	31750
15	RUBBER GROMMET	31746
16	RUBBER REINFORCEMENT	31747
17	CONDENSER	31683



ITEM	DESCRIPTION	IQN/F 700 115V/60HZ
1	LED PANEL	30566A
2	ICE FULL MICRO SWITCH	32658
3	ELECTRIC BOX	30792
4	ELECTRONIC BOARD 115V/60HZ	30565C
5	ELECTRIC BOX COVER	31274
6	SCREW	2595
7	WASHER	291
8	SCREW	47743
9	ROTATION SENSOR	30568
10	MAGNET	30448
11	MAGNET SUPPORT	30449
12	SWITCH	32416
13	RELAY 115V/60HZ	32501
14	STOCK ICE SENSOR	31261



ITEM	DESCRIPTION	IQN/F 700 115V/60HZ
1	BENCH	31463
2	OMEGA BENCH	31504
3	RIGHT SUPPORT	31464
4	LEFT SUPPORT	31465
5	LEFT REAR SUPPORT	31916
6	RIGHT REAR SUPPORT	32202U
7	SUPPORT REINFORCEMENT	31468
8	SUPPORT REINFORCEMENT	31469
9	SIDE REINFORCEMENT	31470
10	REAR SUPPORT REINFORCEMENT	31919
11	TOP SUPPORT	31473
12	ELECTRICAL BOX SUPPORT	31483
13	WATER BIN SUPPORT	31477
14	LEFT PANEL	31475
15	RIGHT PANEL	31474
16	NUT	311
17	REAR PANEL	31476
18	TOP PANEL	30423
19	AIR GRID	4186
20	POWER SUPPLY COVER UL	31921
21	POWER SUPPLY BOX UL	31920
22	RUBBER GROMMET	373



ITEM	DESCRIPTION	IQN/F 700 115V/60HZ
1	GEAR MOTOR SUPPORT (*consult serial number)	31484 /33672
2	GEAR MOTOR (*consult serial number)	30563B / 33676A
3	EVAPORATOR SUPPORT	30435
4	O-RING	30492
5	MECHANICAL CLOSING	8962
6	WASHER	30576
7	SEEGER WASHER	8957
8	AUGER	30436
9	EVAPORATOR INSULATION	31247
10	EVAPORATOR	31604
11	O-RING	30496A
12	O-RING	30494A
13	FLAKER EXTRUDER (IQF) NUGGETS EXTRUDER (IQN)	30589 31242
14	O-RING	8954
15	BEARING	30495
16	FLAT WASHER	30577
17	FLAKER ICE BREAKER (IQF) NUGGETS ICE BREAKER (IQN)	30590 30444
18	CONVERSION KIT OF IQN INTO IQF CONVERSION KIT OF IQF INTO IQN	32956 32957
19	ICE EXIT	30452
20	ICE EXIT COVER	30445A
21	O-RING	30499A
22	ICE EXIT CHUTE	33266
23	ICE EXIT CHUTE SUPPORT	30791
24	COVER	1968G
25	WATER INLET 115V/60HZ	31812
26	WATER TANK COVER	30432
27	OVERFLOW TUBE	31781
28	WATER TANK	1966A
29	DRAIN PIPE	31796
30	DRAIN CONNECTOR	31723
31	WATER INLET PIPE	30855