



IQ MODULAR R404A

ITV
ICE makers



DESPIECE / REPUESTOS
EXPLODED VIEW / SPARE PARTS
EXPLOSIONSZEICHNUNG / ERSATZTEILE
VUE ÉCLATÉE / PIÈCES DÉTACHÉES
ESPLOSO / RICAMBI

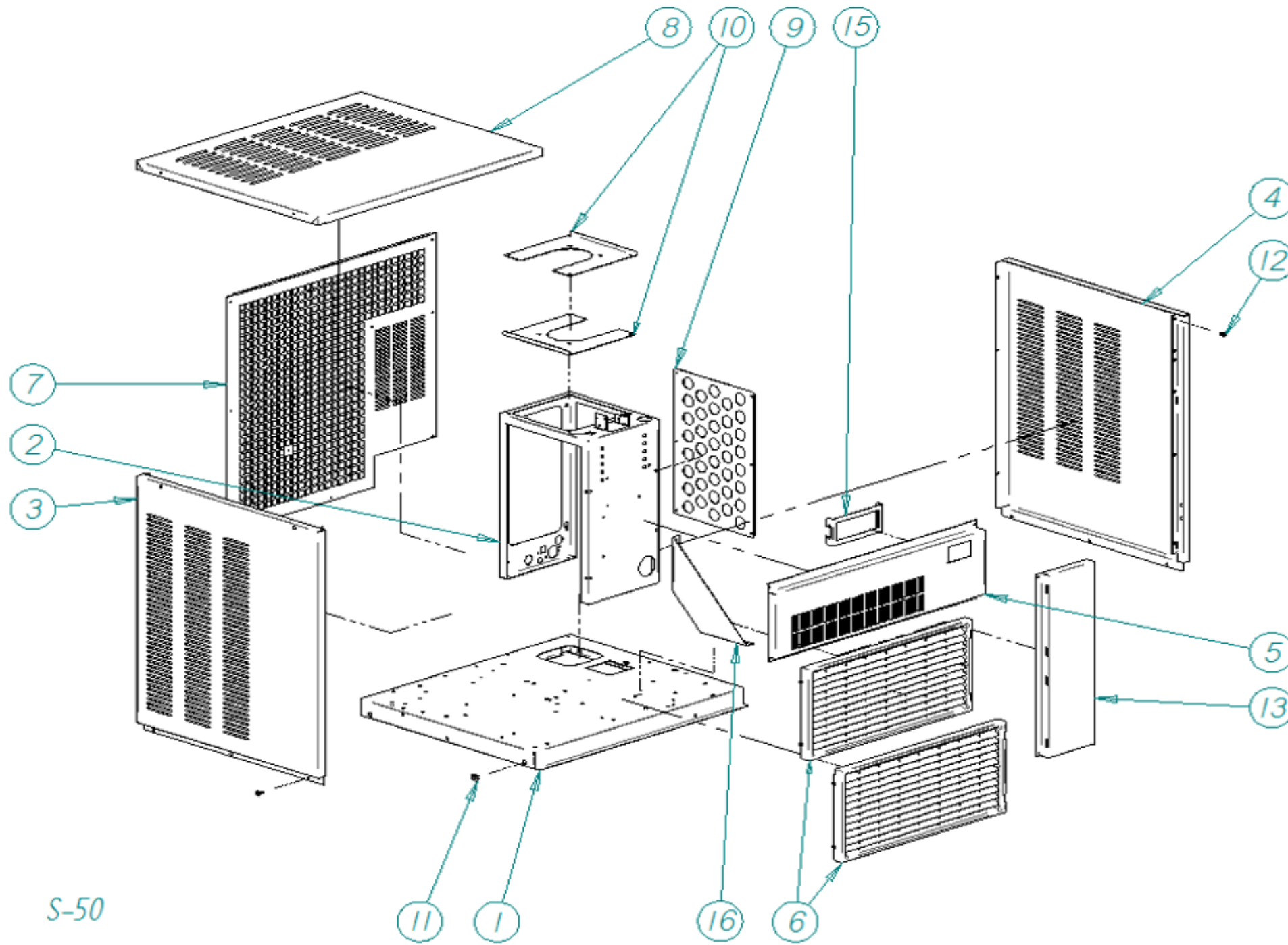


CABINET



IQ MODULAR R404A

FROM SERIAL NUMBER 1232138



S-50

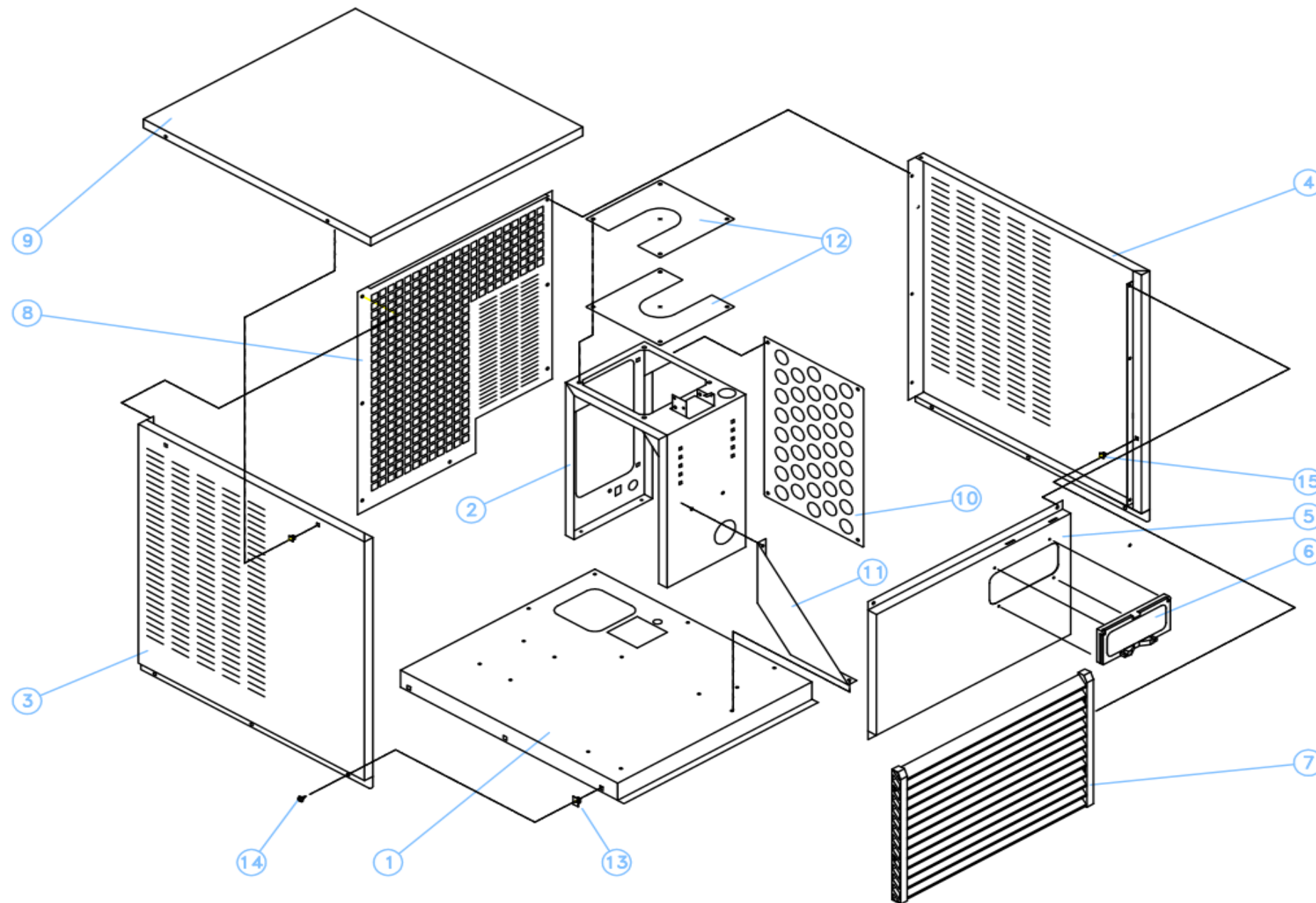
	NAME	MODEL				
		IQ 300	IQ 500	IQ 900	IQ 1300	IQ 2700
1	BASE	1915	2456	2475	2730	
2	BRIDGE	1916	2458	2476	2715	2720 X 2
3	LEFT PANEL	6051	4933	6053	4939	6068
4	RIGHT PANEL	6050	4932	6052	4938	6067
5	FRONT PANEL	6646	6647	(I) 6649	(I) 6650	6069 X 2
		---	---	(III) 6654	(III) 6651	---
6	AIR GRILLE	6084	4185 X 2	4186 X 2	4186 X 3	7572 X 2
7	BACK PANEL	1949	2466	2481	2712	2737
8	TOP PANEL	2465		2480	2729	
9	LATERAL COVER	---	---	---	2717	---
10	SUPPORT BRIDE	2455 X 2		2477 X 2	2477 X 4	
11	PLASTIC NUT	2440				
12	PLASTIC NUT	2347				
13	FRONT PANEL	---	6656	6657	6658	2724
15	LED SUPPORT	6659				6038
16	REAR SUPPORT	---	---	1417	---	---

CABINET



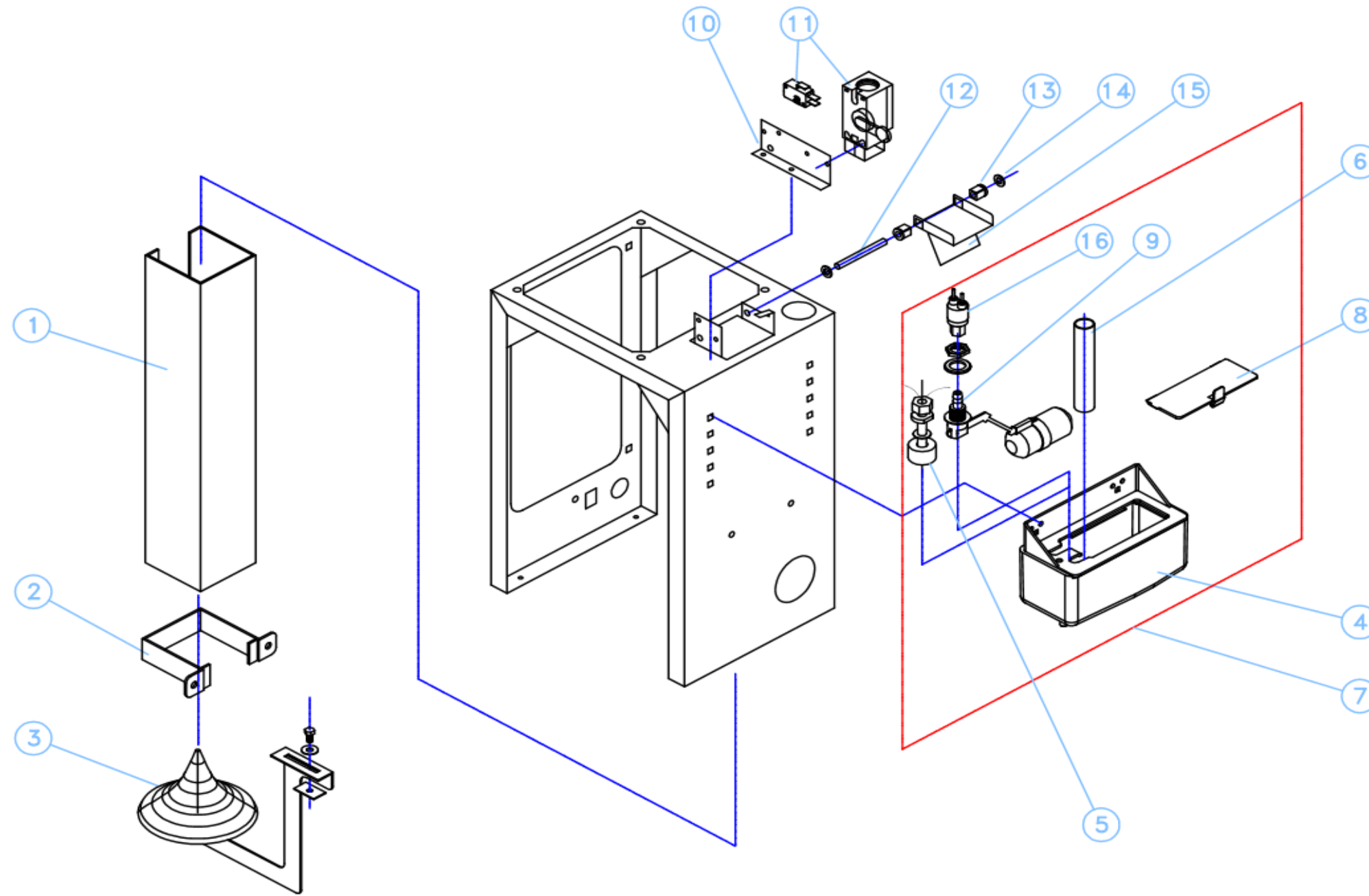
IQ MODULAR R404A

UNTIL SERIAL NUMBER 1232138



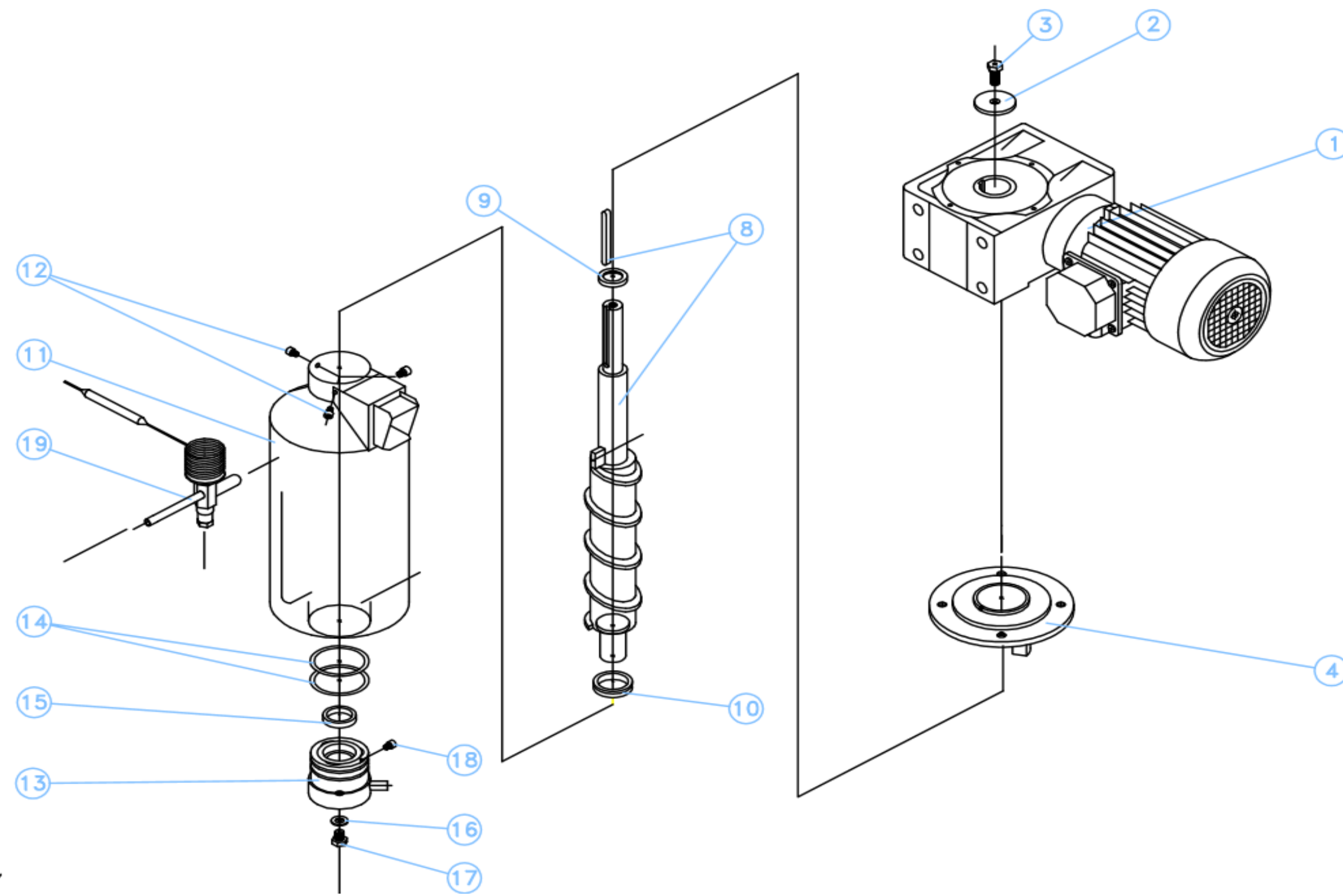
	NAME	MODEL				
		IQ 300	IQ 500	IQ 900	IQ 1300	IQ 2700
1	BASE	1915	2456	2475		2730
2	BRIDGE	1916	2458	2476	2715	2720 X 2
3	LEFT PANEL	1928	2464	2479	2711	2736
4	RIGHT PANEL	1927	2463	2478	2710	2735
5	FRONT PANEL	1948	2467	2482	2713	2738
6	PLASTIC COVER			1479		
7	REAR GRILLE	7571		7573		7572
8	REAR PANEL	1949	2466	2481	2712	2737
9	TOP PANEL	2465		2480		2729
10	SIDE SUPPORT	---	---	---	2717	---
11	CORNER SUPPORT	---	---	1417		---
12	MOTOR BRACKET	2455		2477		
13	SMALL NUT			2440		
14	SCREW			2491		
15	PLASTIC NUT			2347		

S-16



S-19

	NAME	MODEL				
		IQ 300	IQ 500	IQ 900	IQ 1300	IQ 2700
1	ICE DELIVERY CHUTE	2441	2442	2443	2444	2444
2	ICE DELIVERY CUBE FLANGE			2447		
3	DISPERSION CONE			7228		
4	WATER TANK			6036A		
5	WATER LEVEL PROBE			5423		
6	OVERFLOW TUBE			2505		
7	COMPLETE WATER TANK ASSEMBLY	5231A (includes items 4,5,6,8,9)				
8	WATER TANK COVER			1968		
9	FLOAT			5340		
10	MICRO SWITCH SUPPORT		---			2863
11	STOP MICROSWITCH			2517		
	STOP MICRO (old IQ550)		---			2562
12	SHAFT			2514		
13	DOOR BUSHING			171		
	ARTICULATION JOINT(old units)			107		
14	ARTICULATION JOINT			6004		
15	STOP PLATE - FLOATING			2434		
16	WATER PRESSURE SWITCH (old IQ550)		---			1120
15	STOP PLATE - SPRING			817		

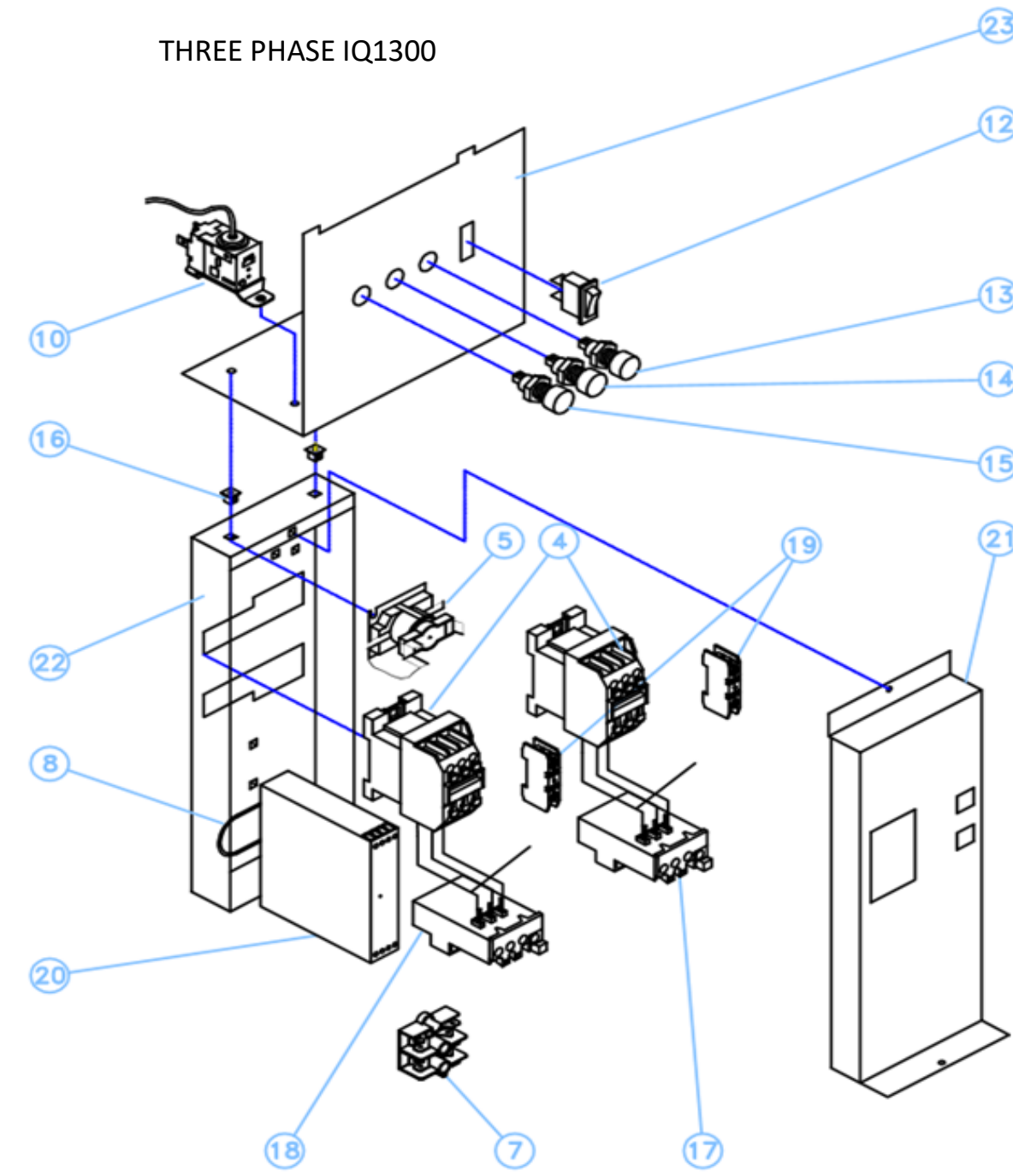
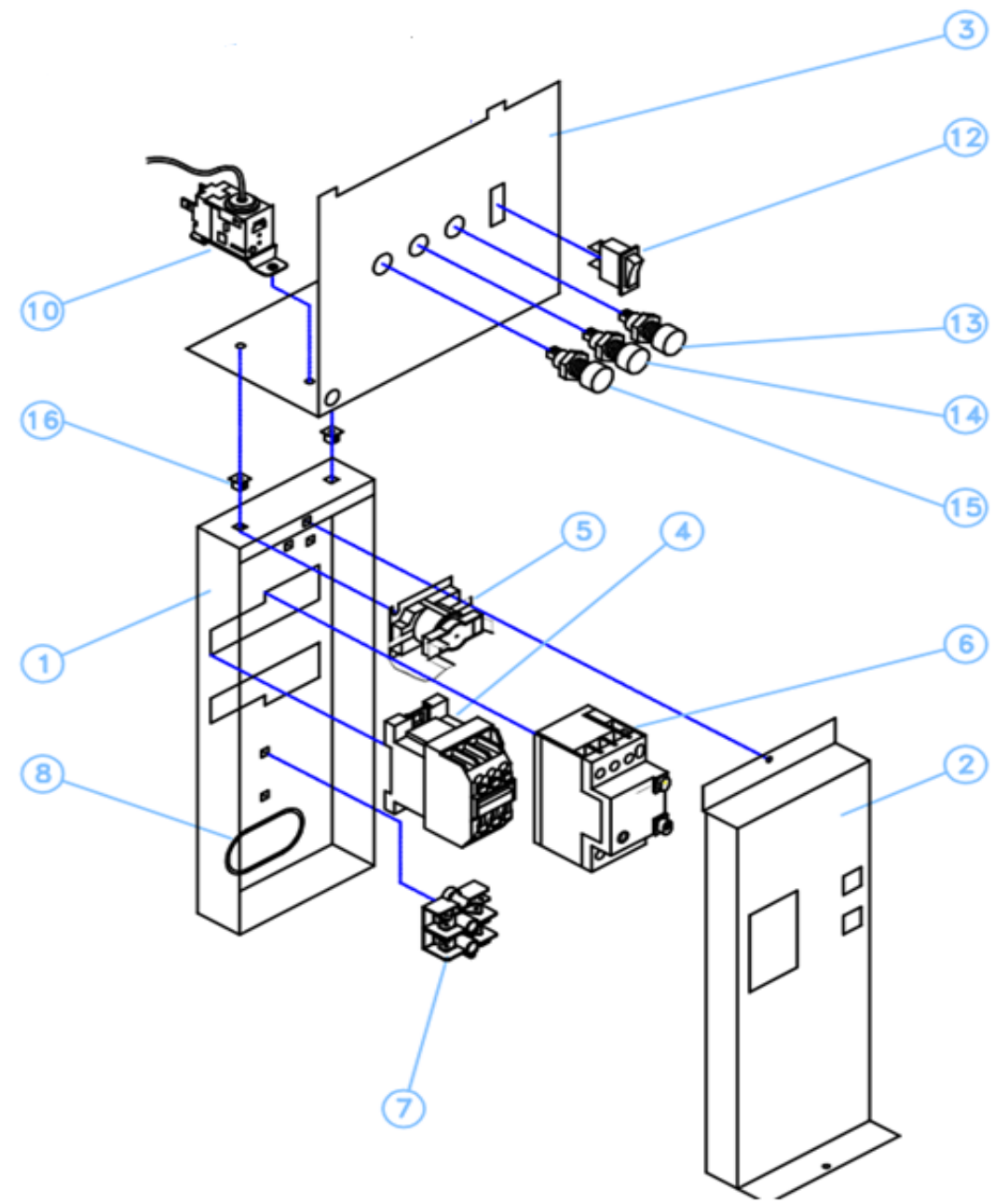


S-17

	NAME	MODEL				
		IQ 300	IQ 500	IQ 900	IQ 1300	IQ 2700
1	GEAR MOTOR					
	115V/60HZ/1PH	1252				---
	208-230V/60HZ/1PH	---		1253	1284	---
	208-230V/60HZ/3PH	---		1256		1301
2	WASHER		2512		1850	1850
3	HEX BOLT		3297		719	719
4	MOTOR SUPPORT		5365		5366	5366
8	AUGER	2245	2246	50	894	894
9	WASHER	---	---		1820	1820
10	V-RING SEAL		2334		2335	2335
11	EVAPORATOR	7633	7634	7635	7636	7636 (right)+7639(left)
12	SCREW			2871 (M6) -- 3560(M10)		
13	BOTTOM BEARING	125			162	162
14	O-RING		2256		2484	2484
15	SEAL		725		726	726
16	WASHER			2510		2510
17	SCREW			2449		2449
18	SCREW			2595		2595
19	EXPANSION VALVE	---	---		1035	1035
*	COMPLETE EVAPORATOR KIT	7194	7195	7179	7177	---



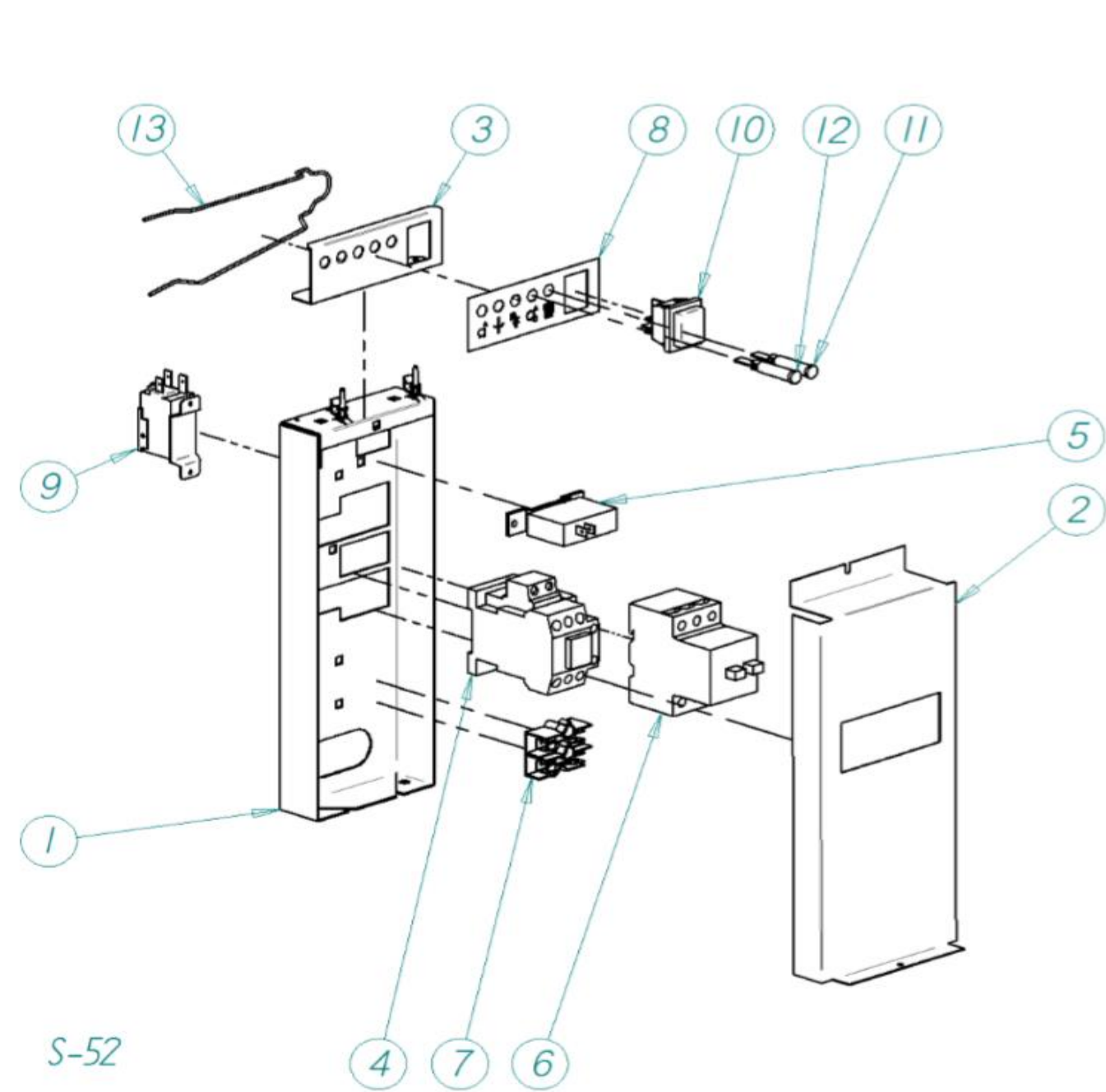
UNTIL SERIAL NUMBER 1232138



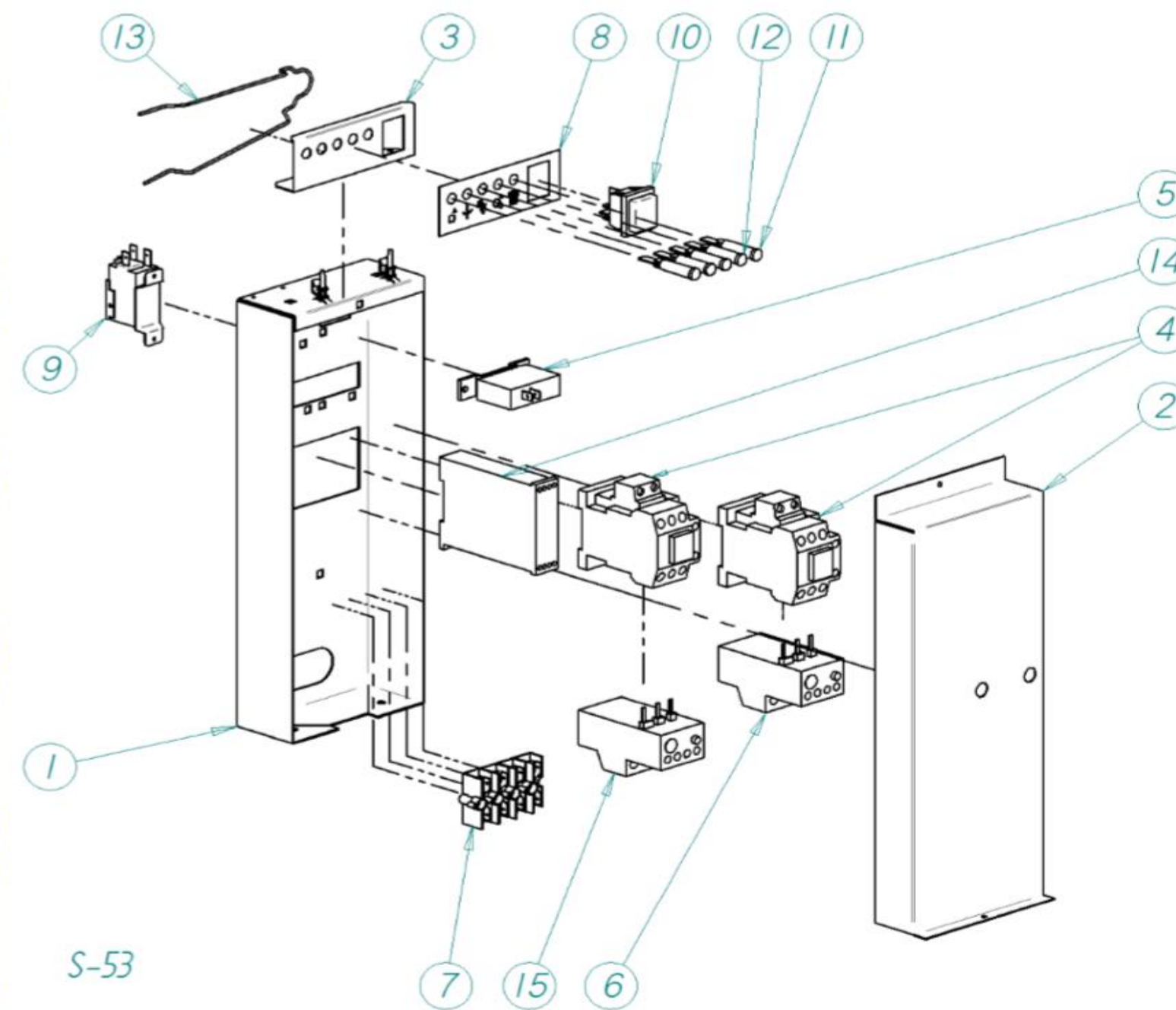
NAME	MODEL				
	IQ 300	IQ 500	IQ 900	IQ 1300	IQ 2700
1 BASE			2472		2734
2 COVER			2974		2724
3 PILOT SUPPORT	1950	2473	2483	2714	2723
4 CONTACTOR			536A		
5 TIMER			2471		
6 BREAKER		2470		1964	
7 TERMINAL			5177		
8 BUSHING			731		
10 FAN CYCLE SWITCH			2507		
12 MAIN POWER SWITCH			2300		
13 GREEN LED LIGHT - POWER ON			825		
14 ORANGE LED LIGHT - BIN FULL			2498		
15 RED LED LIGHT - OVERLOAD			826		
16 PLASTIC NUT			2347		
17 OVERLOAD GEAR MOTOR	---			4971	
18 OVERLOAD COMPRESSOR	---			4966	
19 AUX. CONTACT	---			3219	
20 PHASE DETECTOR	---			3210	
21 BOX COVER	---		3221		---
22 BASE	---		3218		---
23 PILOT SUPPORT	---		3220		---



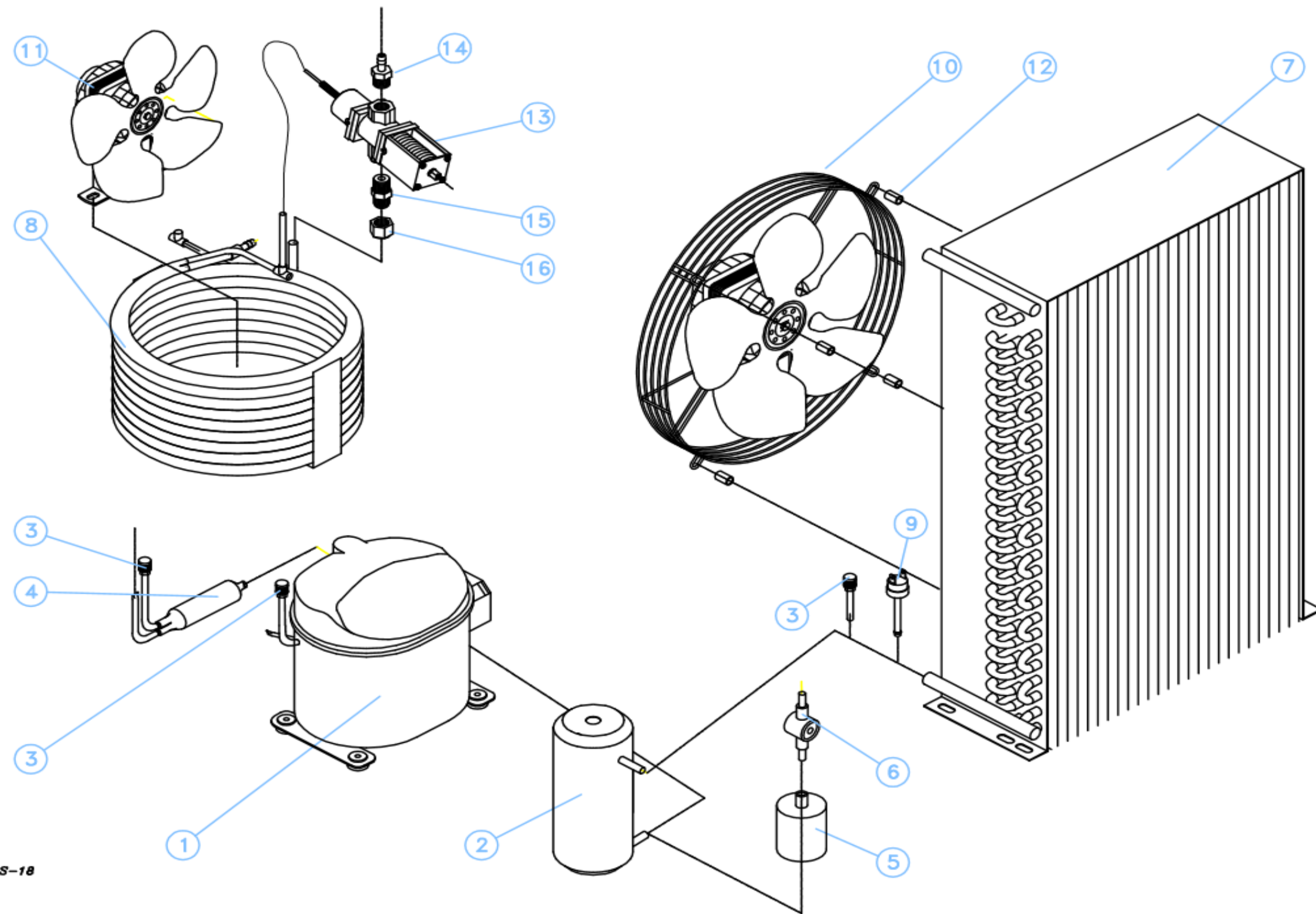
SINCE SERIAL NUMBER 1232138



THREE PHASE IQ1300



	NAME	MODEL			
		IQ 300	IQ 500	IQ 900	IQ 1300
1	BASE	2472(I) - 3218(III)			
2	COVER	2974(I) - 3221(III)			
3	LED SUPPORT	6659			
4	CONTACTOR	4935		536A	
5	TIMER	2471			
6	GEAR MOTOR OVERLOAD	1964		1964(I) - 4971(III)	
7	CONNECTING POINT TERMINAL	5177			
8	DISPLAY COVER	6662			
9	FAN CYCLE SWITCH	2507			
10	MAIN POWER SWITCH	2287			
11	ORANGE LED - BIN FULL	1458			
12	RED LED - OVERLOAD	1457			
13	LED CLIP	6661			
14	PHASE SEQUENCE RELAY	3210			
15	COMPRESOR OVERLOAD	4966			



	NAME	MODEL					
		IQ 300	IQ 500	IQ 900	IQ 1300	IQ 2700	
1	COMPRESSOR	115V/60HZ/1PH 208-230V/60HZ/1PH 208-230V/60HZ/3PH	4827	82803	---	---	---
2	LIQUID ACCUMULATOR		---		6241		
3	VALVE			335			
4	FILTER DRIER		1717	1096			
5	DRIER					2560	
6	SIGHT GLASS (old units)					336	
7	AIR CONDENSER		488	499	8181	2474	2732
8	WATER CONDENSER		5243	5244	5246		5879
9	HIGH PRESSURE SWITCH				334		
10	AIR CONDENSER FAN	115V/60HZ MOTOR	4891	2165			
		BLADE	4495	4888			
		208-230V/60HZ MOTOR			4894		2166
		BLADE				6557	
11	WATER CONDENSER FAN	115V/60HZ MOTOR		2164			
		BLADE		587			
		208-230V/60HZ MOTOR			4892	4892	4892
		BLADE			4040	587	4040
12	MOTOR SPACERS					123	123
13	WATER PRESSURE REGULATOR			425			
14	WATER PRESSURE SWITCH VALVE HOSE			1015			
15	3/8" SAE - 3/8" GAS CONNECTION			430			
16	SAE 3/8" NUT			426			

S-18