



IQ 200C R404A

ITV
ICE makers

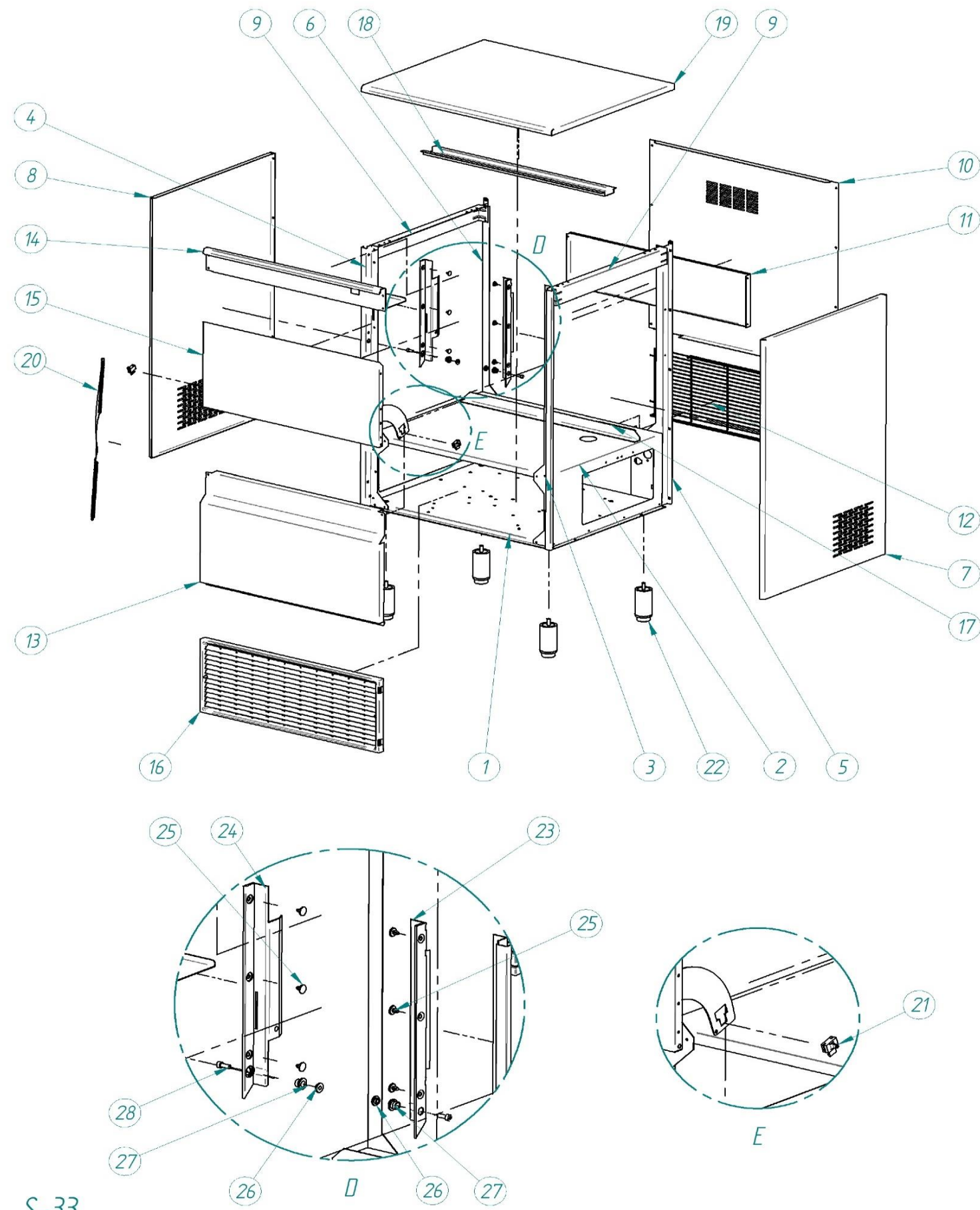


DESPIECE / REPUESTOS
EXPLODED VIEW / SPARE PARTS
EXPLOSIONSZEICHNUNG / ERSATZTEILE
VUE ÉCLATÉE / PIÈCES DÉTACHÉES
ESPLOSO / RICAMBI

CABINET



IQ 200C R404A

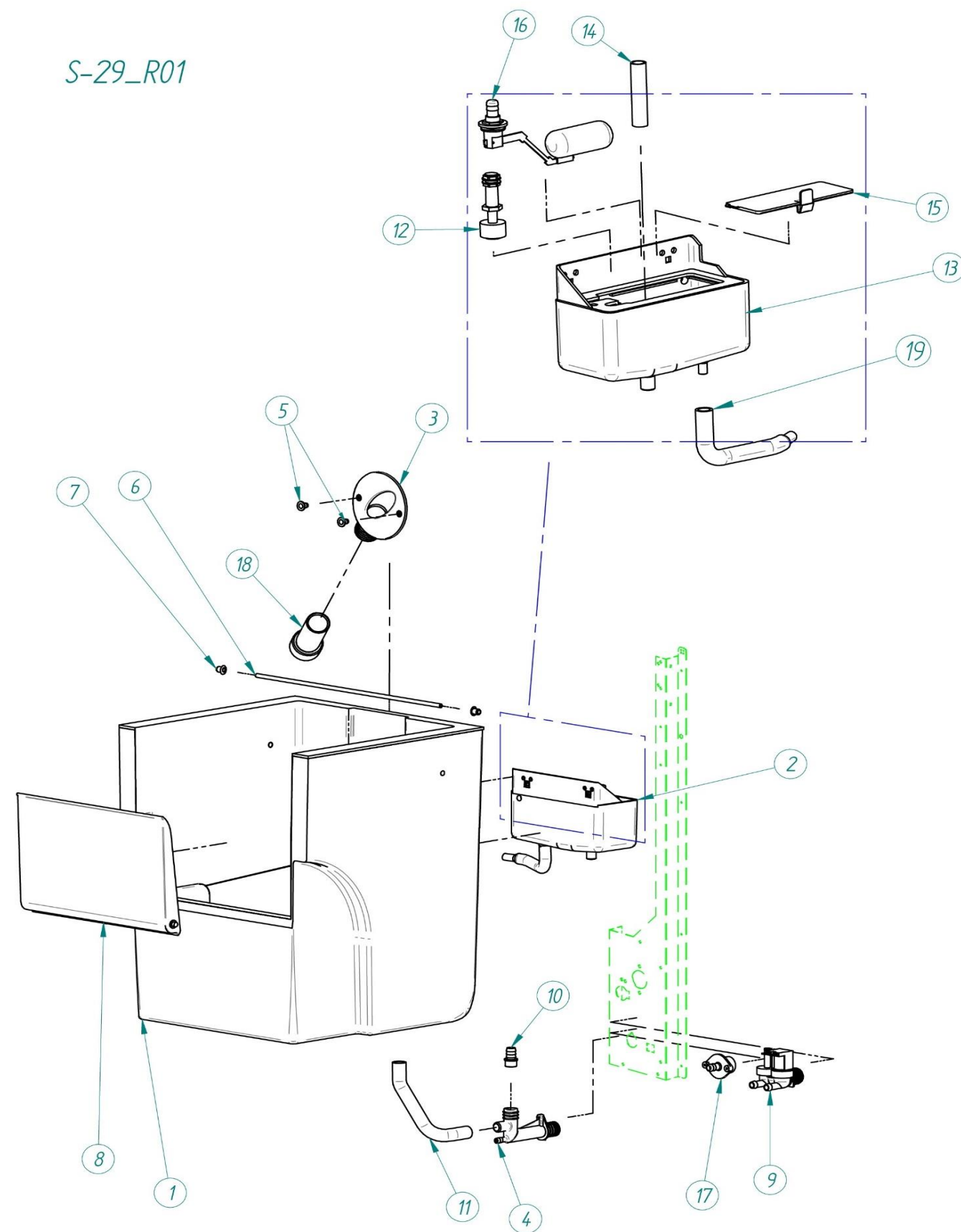


S-33

| NAME | | |
|------|---------------------|------|
| 1 | BASEMENT | 808 |
| 2 | BRIDGE | 506 |
| 3 | FRONT RIGHT COLUMN | 159 |
| 4 | FRONT LEFT COLUMN | 160 |
| 5 | REAR RIGHT COLUMN | 207 |
| 6 | REAR LEFT COLUMN | 161 |
| 7 | RIGHT PANEL | 489 |
| 8 | LEFT PANEL | 490 |
| 9 | BRACE | 4840 |
| 9 | BRACE | 4841 |
| 10 | REAR PANEL | 635 |
| 11 | REAR REINFORCEMENT | 588 |
| 12 | REAR GRILL | 1728 |
| 13 | LOWER FRONT PANEL | 464 |
| 14 | UPPER FRONT PANEL | 418 |
| 15 | DOOR | 5030 |
| 16 | FRONT GRILL | 4063 |
| 17 | BRIDGE ANGLE | 1689 |
| 18 | COVER REINFORCEMENT | - |
| 19 | TOP PANEL | 920 |
| 20 | DOOR SPRING | 702 |
| 21 | DOOR BUMPER | 156 |
| 22 | LEG | 1478 |
| 23 | RIGHT DOOR GUARD | 82 |
| 24 | LEFT DOOR GUARD | 83 |
| 25 | CLIP | 113 |
| 26 | DOOR AXE BUSHING | 155 |
| 27 | DOOR AXE BEARING | 1001 |
| 28 | DOOR SCREW | 392 |



S-29_R01

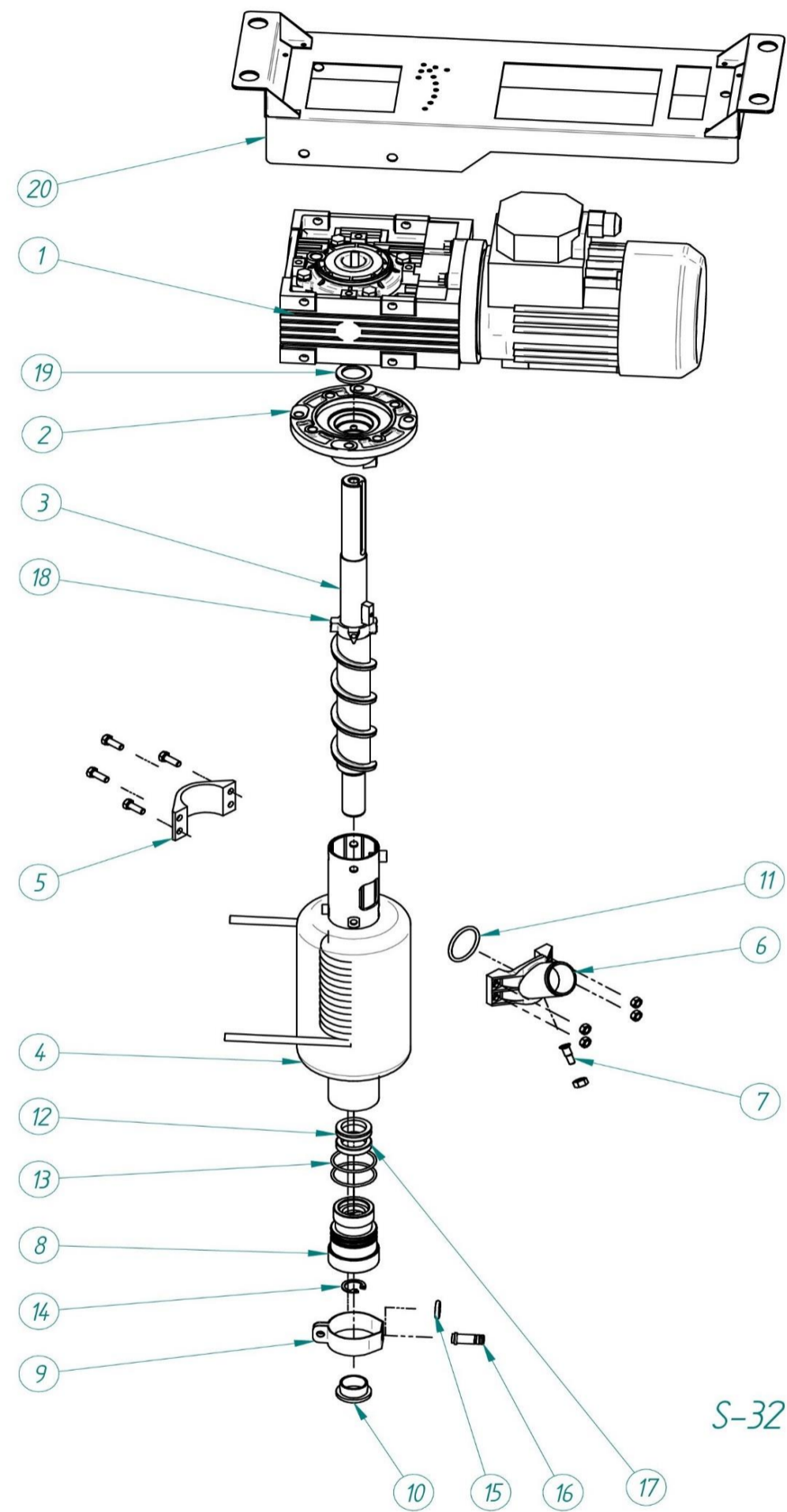


| NAME | | |
|------|--|-------|
| 1 | STOCK BIN | 7380 |
| 2 | WATER TANK ASSEMBLY: include 12,13,14,15,16,19 | 32012 |
| 3 | OUTLET ICE TUBE | 1053 |
| 4 | DRAIN CONNECTOR | 363 |
| 5 | SCREW | 113 |
| 6 | THERMOSTAT CUBE | 5219 |
| 7 | JOINT | 666 |
| 8 | SWING DOOR | 1123 |
| 9 | WATER INLET VALVE (WATER CONDENSED) 115V | 4896 |
| | 220/50HZ | 1910 |
| 10 | WATER INLET STEM | 1005 |
| 11 | WATER TUBE - BIN DRAIN | 1907 |
| 12 | UPPER LEVEL HEAD | 5423 |
| 13 | WATER TANK | 6036A |
| 14 | TUBE | 2505 |
| 15 | TOP COVER | 1968 |
| 16 | WATER FLOAT | 5340 |
| 17 | WATER INLET | 1689 |
| 18 | ICE CHUTE | 6388 |
| 19 | WATER INLET PIPE | 32103 |

EVAPORATOR

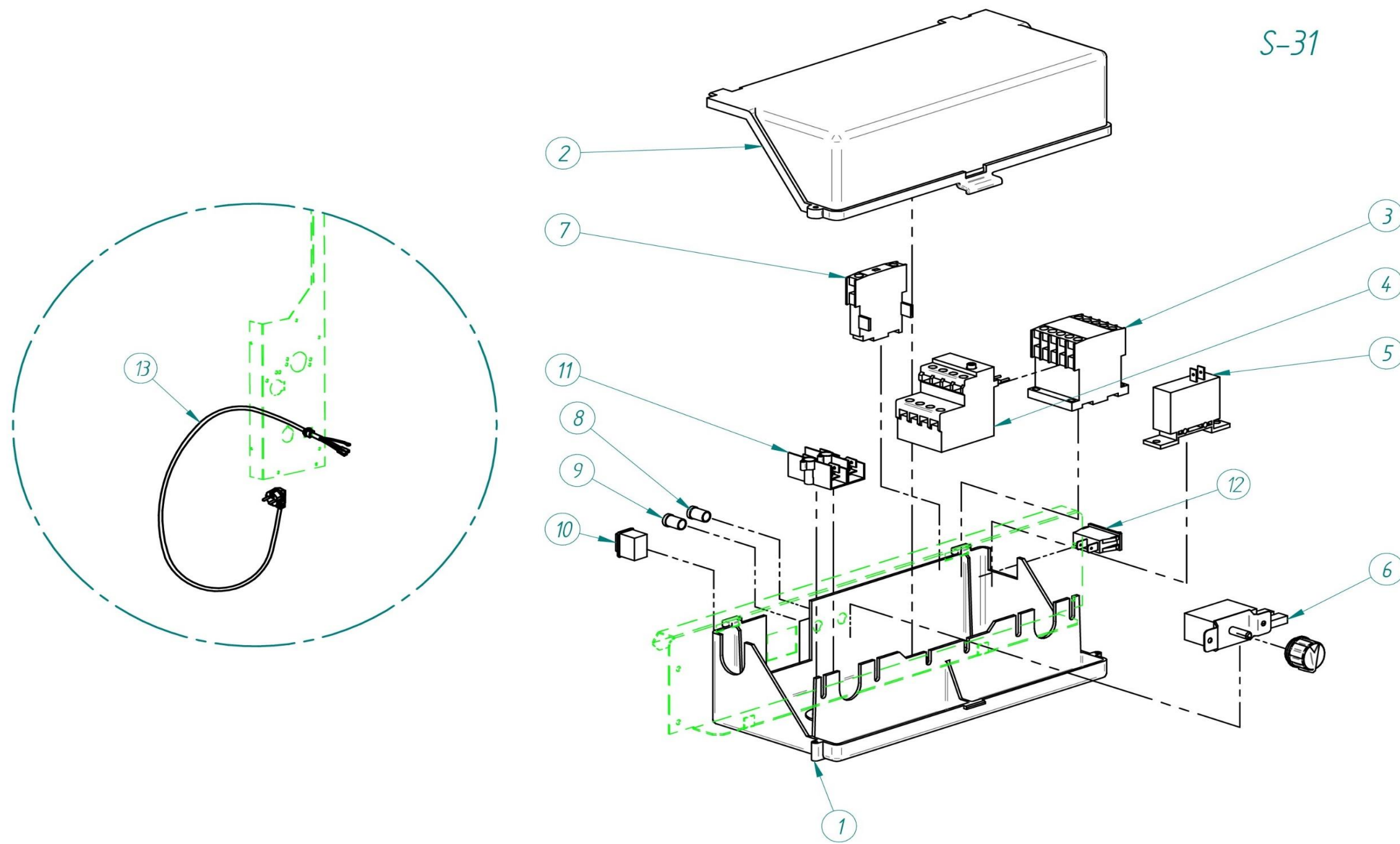


IQ 200C R404A

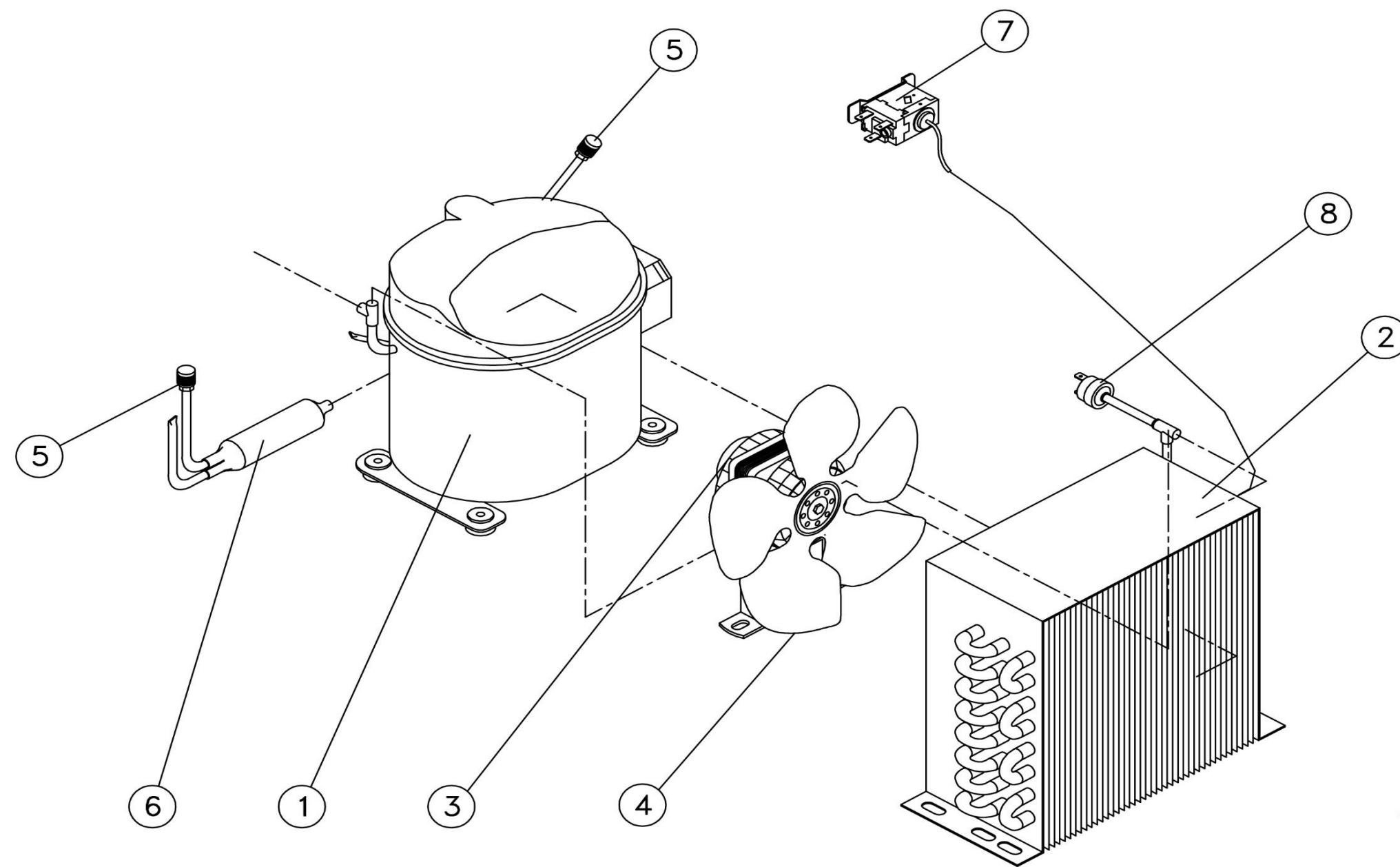


S-32

| NAME | | |
|------|------------------------------|--------|
| 1 | GEAR MOTOR | 6431 |
| 2 | BRIDE/PLATE | 109 |
| 3 | AUGER | 115 |
| 4 | EVAPORATOR | 7012 |
| 5 | EVAP OPENING FLANGE | 1008 |
| 6 | EVAP OPENING | 1007 |
| 7 | DRAIN | 785 |
| 8 | LOWER BEARING | 97 |
| 9 | WATER ENTRY | 211 |
| 10 | STOPPER | 92 |
| 11 | O-RING | 1391 |
| 12 | V-RING | 80 |
| 13 | O-RING | 86 X 2 |
| 14 | SNAP RING | 1390 |
| 15 | O-RING | 1006 |
| 16 | WATER INLET | 1005 |
| 17 | RETAINING RING | 75 |
| 18 | EXTRUDING HEAD | 8329 |
| 19 | WASHER | 6072 |
| 20 | GEAR MOTOR SUPPORT | 4839 |
| * | SET EVAPORATOR: from 2 to 19 | 6037 |

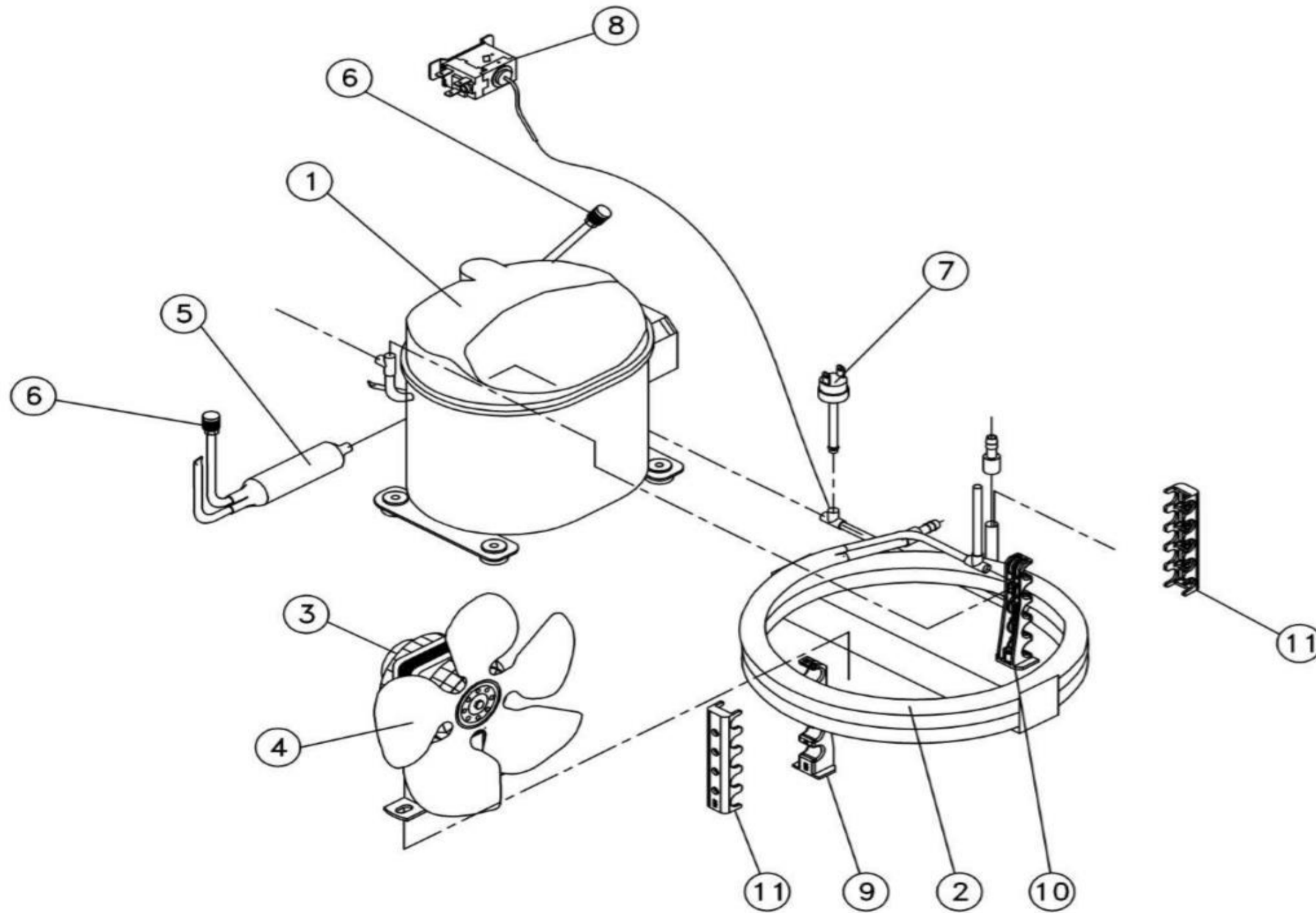


| | NAME | |
|----|----------------------|-------|
| 1 | CABINET BASE | 4789 |
| 2 | COVER | 4790 |
| 3 | CONTACTOR 115V/60HZ | 2167 |
| 4 | RELAY 115V/60HZ | 1902 |
| 5 | TIMER | 2471 |
| 6 | STOCK/BIN THERMOSTAT | 274 |
| 7 | AUX CONTACTOR | 1004 |
| 8 | ORANGE LED | 1458 |
| 9 | RED LED | 1457 |
| 10 | MAIN POWER SWITCH | 31496 |
| 11 | TERMINAL BLOCK | 5177 |
| 12 | CLEANING SWITCH | 2300 |
| 13 | POWER CORD 115/60HZ | 2771 |



| NAME | | IQ 85C |
|------|----------------------|--------|
| 1 | COMPRESSOR 115V/60HZ | 82801 |
| 2 | AIR CONDENSER | 486 |
| 3 | FAN MOTOR 115V/60HZ | 2164 |
| 4 | FAN BLADE | 4040 |
| 5 | CHARGE VALVE | 335 |
| 6 | FILTER DRIER | 1717 |
| 7 | FAN CYCLE SWITCH | 2507 |
| 8 | HIGH PRESSURE SWITCH | 334 |

S-24



| NAME | | IQ 85C |
|------|------------------------------------|--------|
| 1 | COMPRESSOR 115V/60HZ | 82801 |
| 2 | WATER CONDENSER | 5242 |
| 3 | FAN MOTOR 115V/60HZ | 2164 |
| 4 | FAN BLADE | 587 |
| 5 | FILTER DRIER | 1717 |
| 6 | CHARGE VALVE | 335 |
| 7 | HIGH PRESSURE SWITCH | 334 |
| 8 | FAN CYCLE SWITCH | 2507 |
| 9 | WATER CONDENSER UPPER SUPORT | 4036 |
| 10 | WATER CONDENSER LOWER SUPPORT | 4037 |
| 11 | WATER CONDENSATOR EXTERNAL SUPPORT | 4038 |