



IQ1300R

ITV
ICE makers



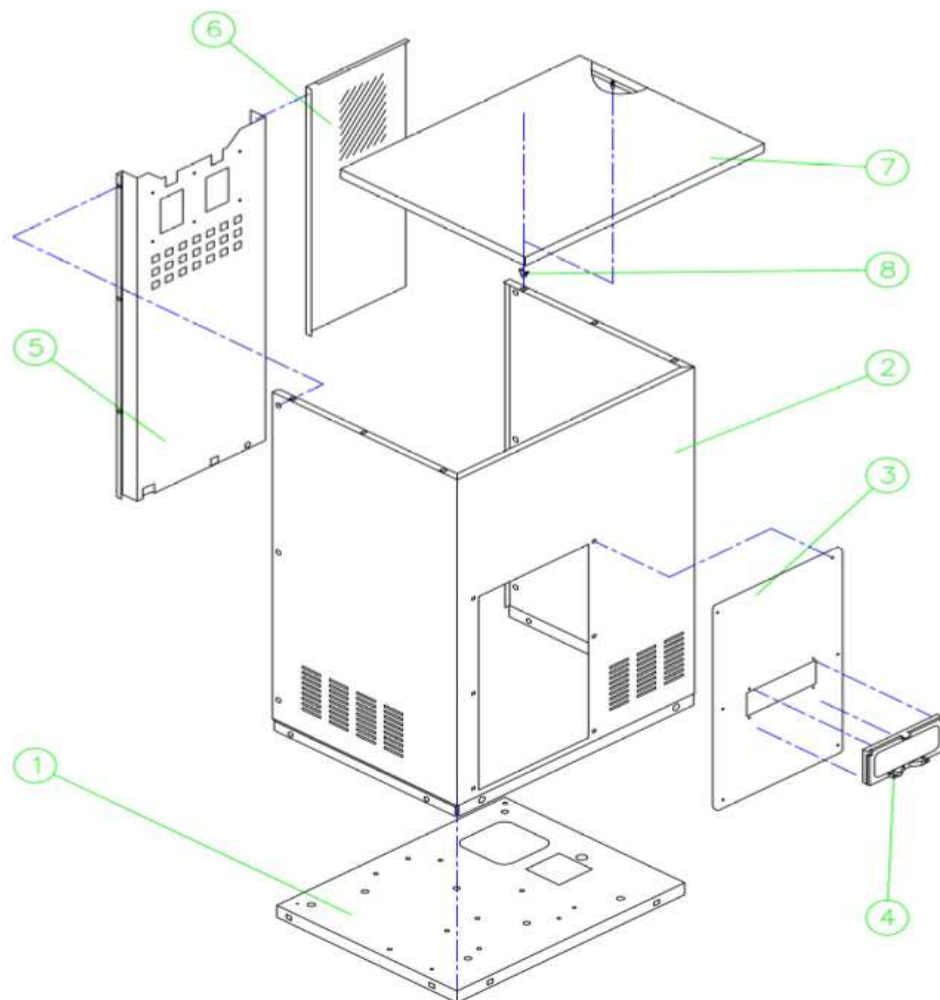
DESPIECE / REPUESTOS
EXPLODED VIEW / SPARE PARTS
EXPLOSIONSZEICHNUNG / ERSATZTEILE
VUE ÉCLATÉE / PIÈCES DÉTACHÉES
ESPLOSO / RICAMBI



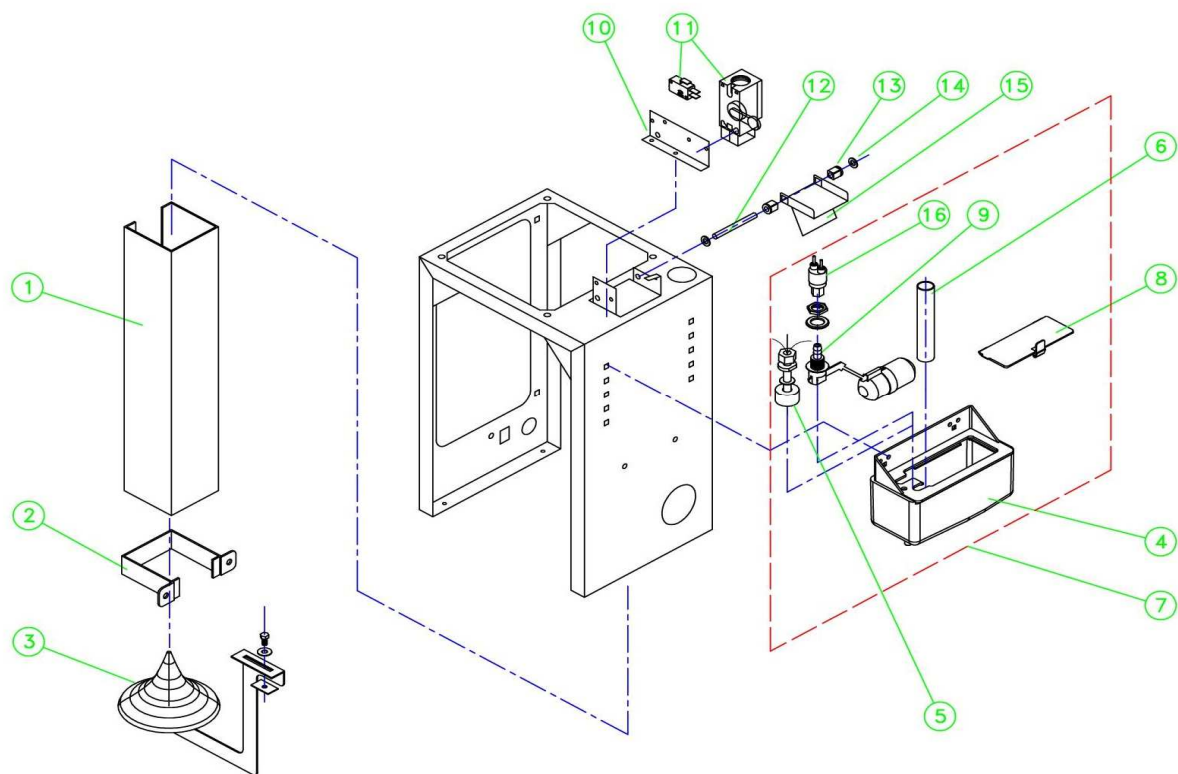
CABINET



IQ1300R



NAME		
1	BASE	3413
2	COVERING	3416
3	ELECTRICAL BOX COVER	2903
4	PLASTIC COVER	1479
5	CONNECTIONS SUPPORT	3415
6	REAR COVER	3417
7	TOP COVER	3419
8	CLIP	312

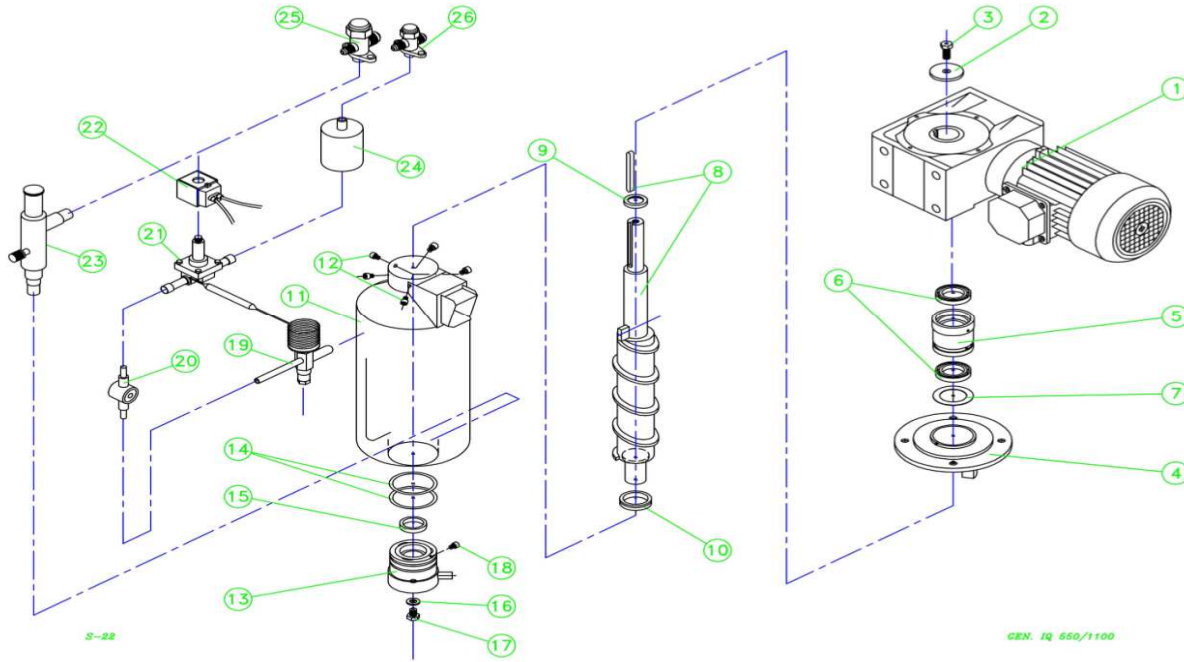


	NAME	
1	ICE DELIVERY CHUTE	2444
2	FLANGE	2447
3	DISPERSION CONE	7228
4	WATER BIN	6036A
5	WATER LEVEL PROBE	5423
6	OVERFLOW TUBE	2505
7	COMPLETE WATER BIN	5231A
8	TOP PANEL BIN	1968
9	VERTICAL FLOAT VALVE	5340
10	STOP MICRO SUPPORT	2863
11	STOP MICRO	2517
	STOP MICRO (old units)	2562
12	SHAFT	2514
13	DOOR BUSHING	171
14	ARTICULATION JOINT	107
15	STOP BASCULE	2434
16	WATER LEVEL SWITCH	1120

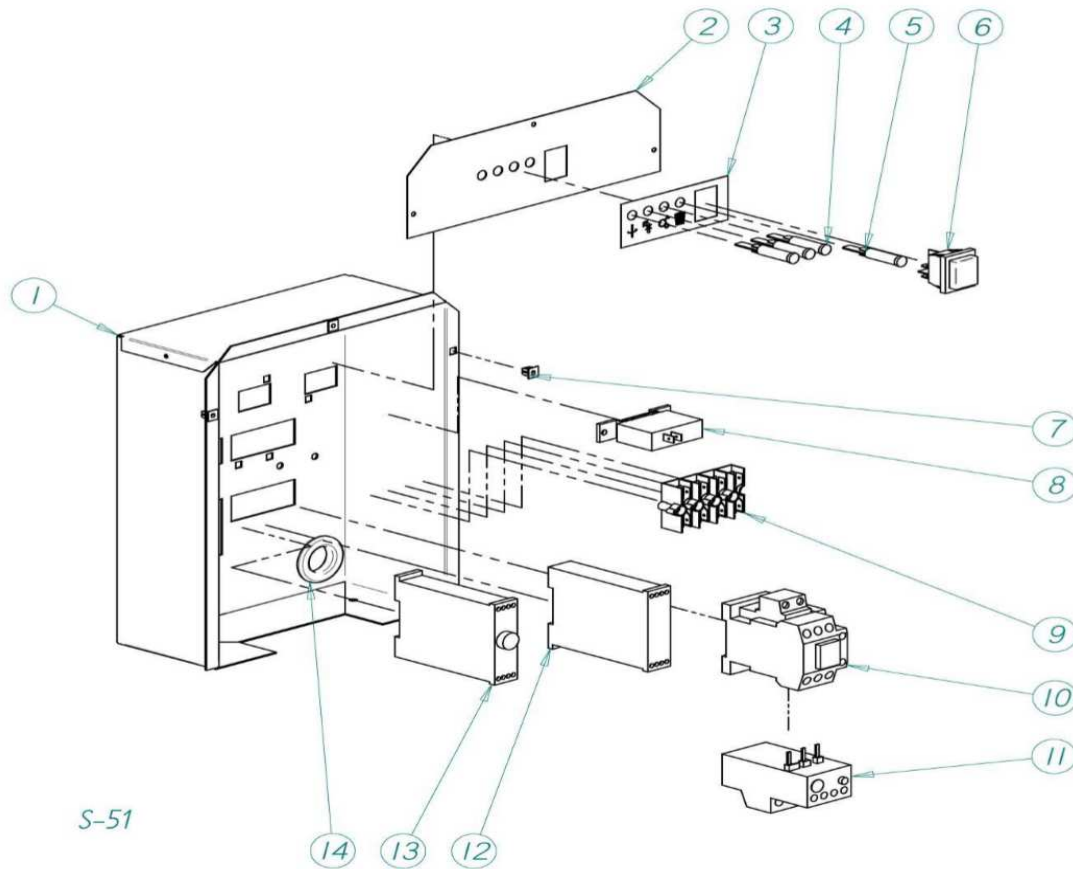
EVAPORATOR



IQ1300R



	NAME	
1	GEAR MOTOR 203-230V/60HZ/3PH	1301
2	4X13X5 WASHER	1850
3	12X30 SCREW	719
4	MOTOR SUPPORT	5366
5	UP BEARING	-
6	SEAL	-
7	55X67 WASHER	2662
8	AUGER	894
9	WASHER	1820
10	V-RING	2335
11	EVAPORATOR	7636
12	SCREW	2871
13	BOTTOM BEARING	162
14	O-RING	2484
15	SEAL	726
16	WASHER	2510
17	8X10 SCREW	2449
18	5X6 G65 SCREW	2595
19	EXPANSION VALVE	1035
20	SIGHT	336
21	SOLENOID VALVE	843
22	COIL	5173
23	KVP SUCTION VALVE	3411
24	FILTER	2560
25	1/2" VALVE	3398
26	3/8" VALVE	3397
*	COMPLETE EVAPORATOR KIT	7177



S-51

		NAME	
1	ELECTRIC BOX		3422
2	PILTO SUPPORT		3423
3	CASE		6662
4	RED LIGHT		1457
5	ORANGE LIGHT		1458
6	MAIN SWITCH		2287
7	NUT		2347
8	TIMER		2471
9	CONNECTION POINT		5177
10	CONTACTOR		536A
11	BREAKER		4971
12	PHASE SEQUENCE RELAY		3210
13	SOLENOID TIMER		3424
14	CABLE OPENING		2520