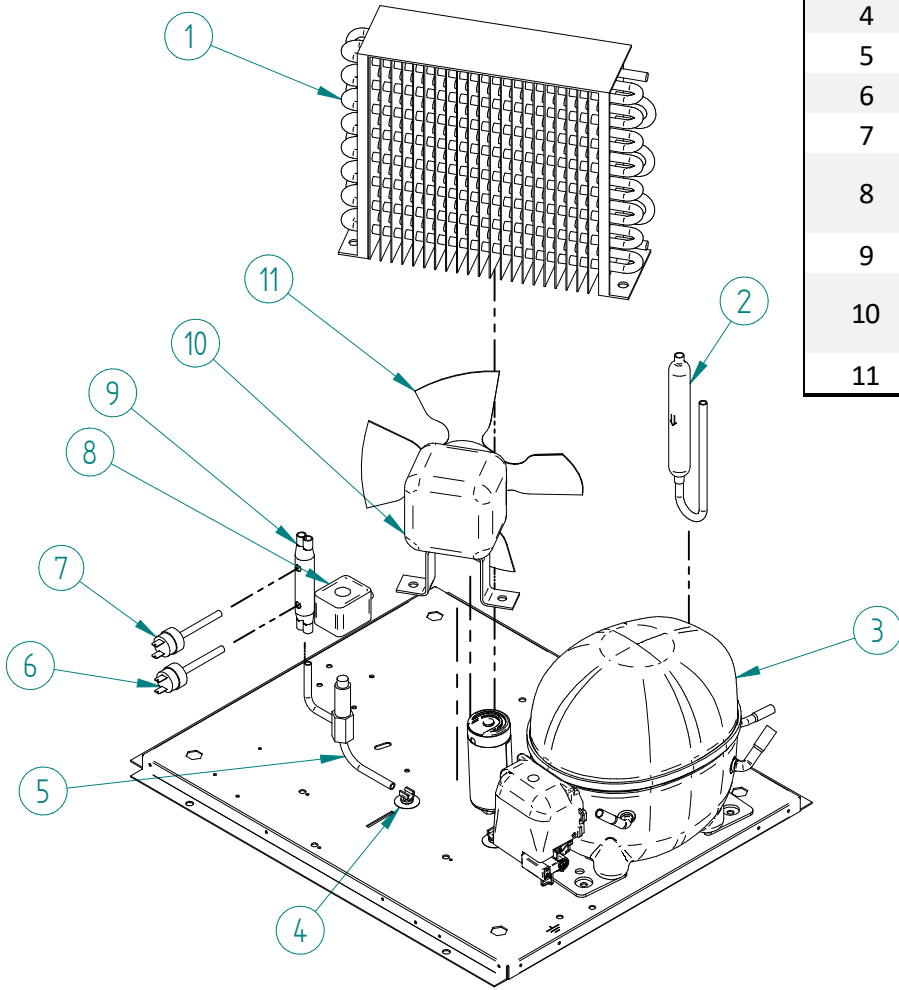
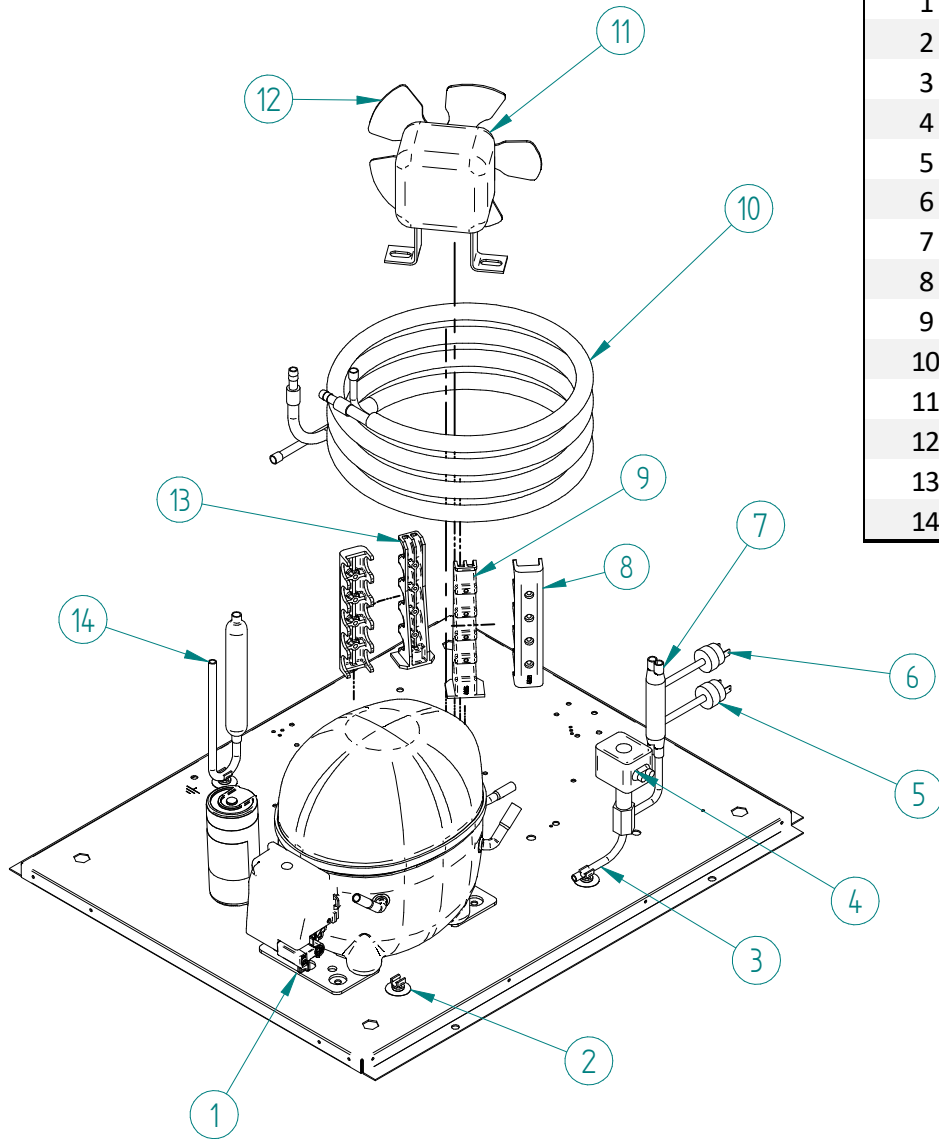




DESPIECE / REPUESTOS
EXPLODED VIEW / SPARE PARTS
EXPLOSIONSZEICHNUNG / ERSATZTEILE
VUE ÉCLATÉE / PIÈCES DÉTACHÉES
ESPLOSO / RICAMBI

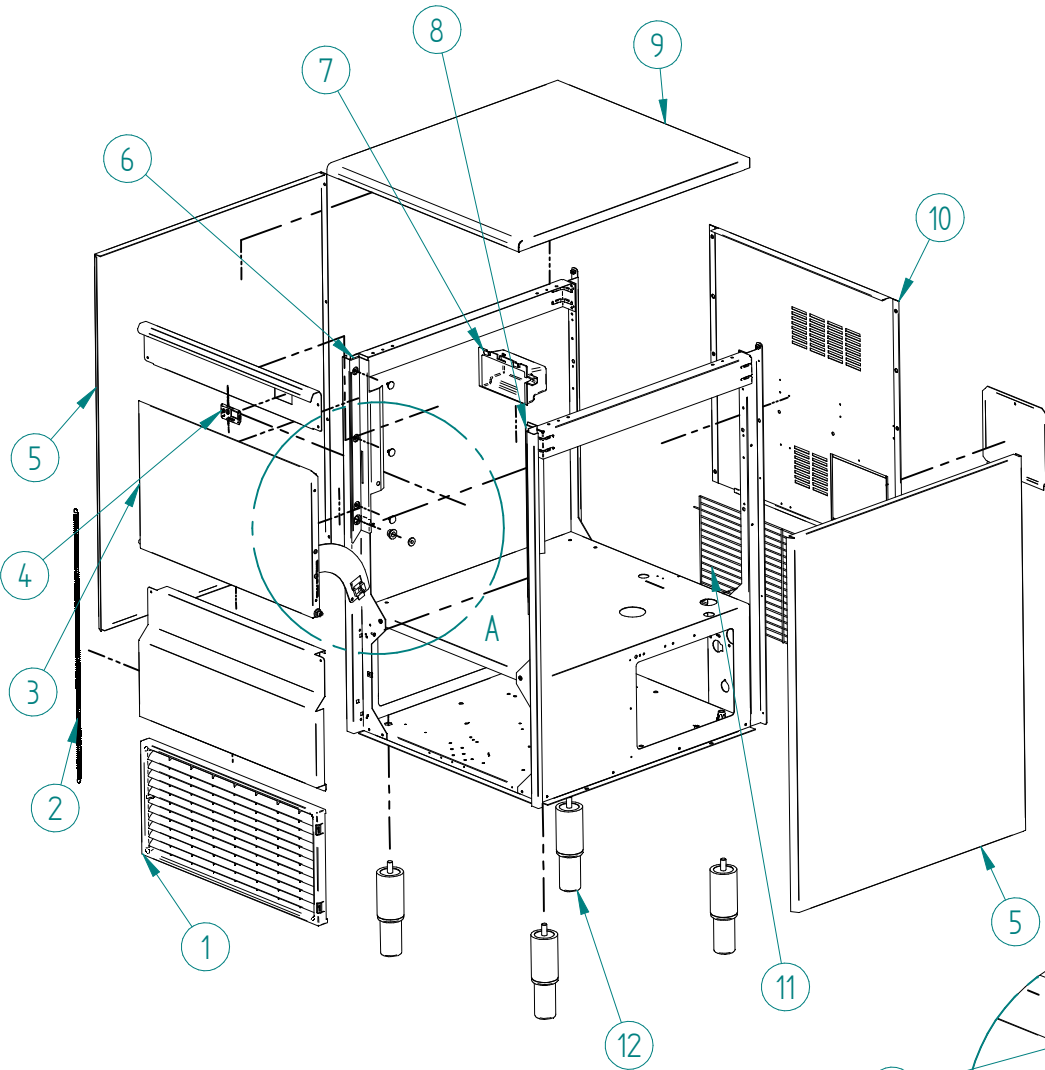


ITEM	DESCRIPTION	NG R290 (kg/lbs)				
		30/80	35	45/100	60/120	80
1	AIR CONDENSER	31531		486	487	32251
2	FILTER DRIER			7896		
3	COMPRESSOR			31302	31304	31306
		220V/50HZ				
		115V/60HZ	32584	N/A	32727	N/A
4	PLASTIC CLIP 1/4"			3533		
5	HOT GAS VALVE - BODY			1473		
6	HIGH PRESSURE SWITCH			31660E		
7	FAN CONTROL PRESSURE SWITCH			31160E		
8	HOT GAS VALVE - COIL	220V/50HZ		5173		
		115V/60HZ		5414		
9	PRESSURE SWITCH COLLECTOR			31444		
10	FAN MOTOR	220V/50HZ	960		28	
		115V/60HZ	4889	N/A	4890	N/A
11	FAN BLADE			4887		

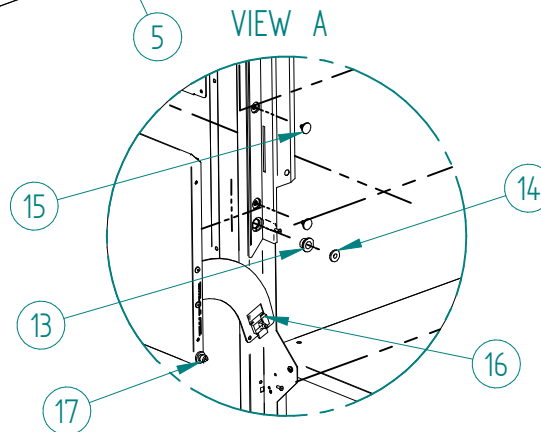


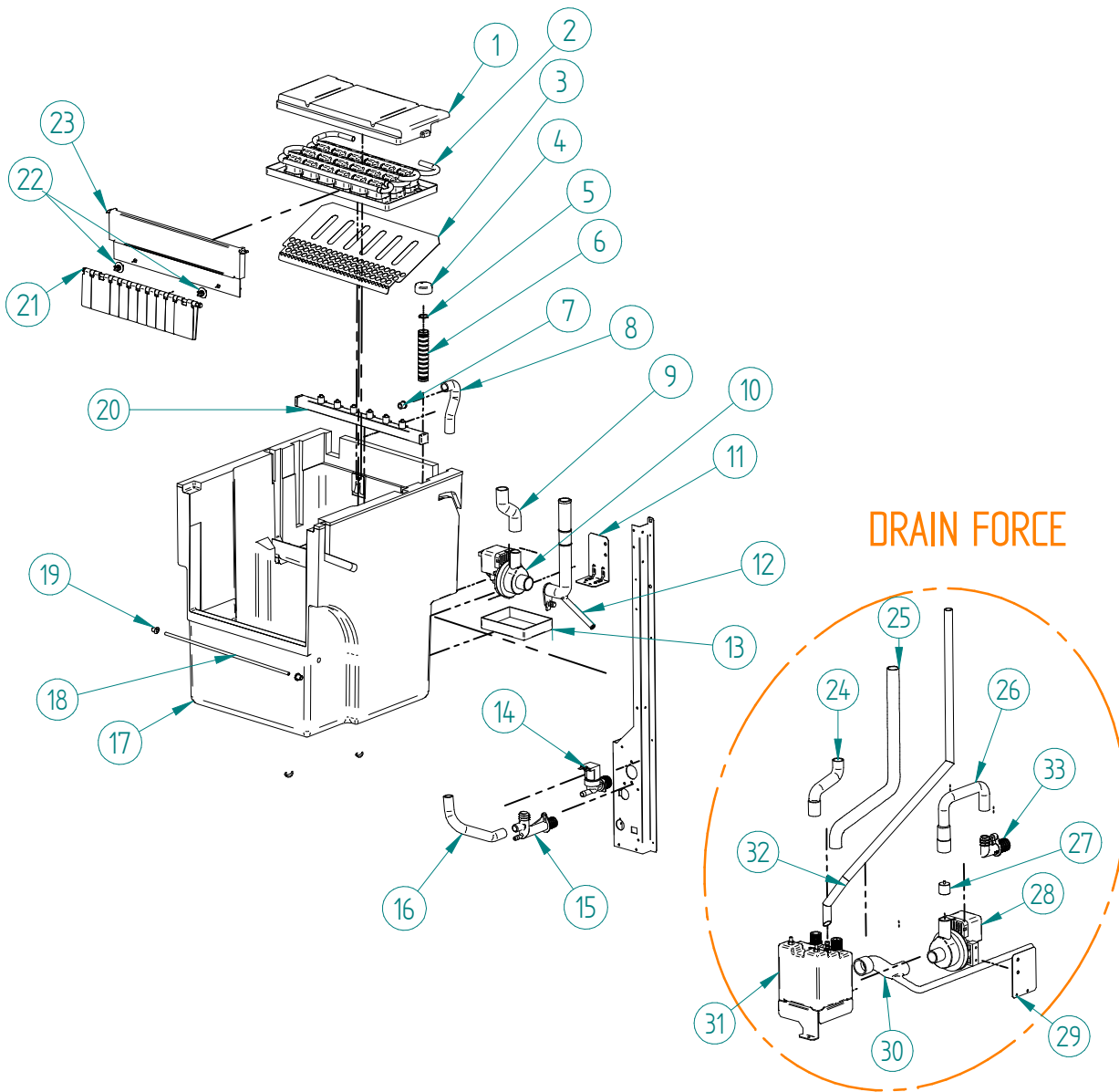
ITEM	DESCRIPTION	NG R290 (kg/lbs)			
		30/80	35	45/100	60/120
1	COMPRESSOR	31302		31304	
2	PLASTIC CLIP 1/4"	3533			
3	HOT GAS VALVE - BODY	1473			
4	HOT GAS VALVE - COIL	5173			
5	HIGH PRESSURE SWITCH	31660E			
6	FAN CONTROL PRESSURE SWITCH	31160E			
7	PRESSURE SWITCH COLLECTOR	31444			
8	WATER CONDENSER EXTERNAL SUPPORT	4038			
9	WATER CONDENSER UPPER SUPPORT	4036			
10	WATER CONDENSER	32170	5016		32187
11	FAN MOTOR	N/A		2170	
12	FAN BLADE	N/A		587	
13	WATER CONDENSER LOWER SUPPORT	4037			
14	FILTER DRIER	7896			

ITEM	DESCRIPTION		NG R290 (kg/lbs)			
			30/80	35-45/100	60/120	80
1	ELECTRIC BOX SUPPORT	220V/50HZ 115V/60HZ	31668A		31570A 31823A	
2	WIRE HOLE				31746	
3	ELECTRONIC BOARD	220V/50HZ 115V/60HZ			8143D 30595D	
4	CLEANING SWITCH				31719	
5	ELECTRIC BOX COVER		31667A		31571A	
6	MAIN SWITCH				32416	
7	BLUE LED				32415	
8	TEMPERATURE PROBE	220V/50HZ 115V/60HZ		31708		32644 32644
9	ELECTRONIC BOARD CLIP				31544	
10	ELECTRONIC BOARD DRAIN FORCE	220V/50HZ 115V/60HZ			32568 32725	
11	BIN THERMOSTAT				31758	

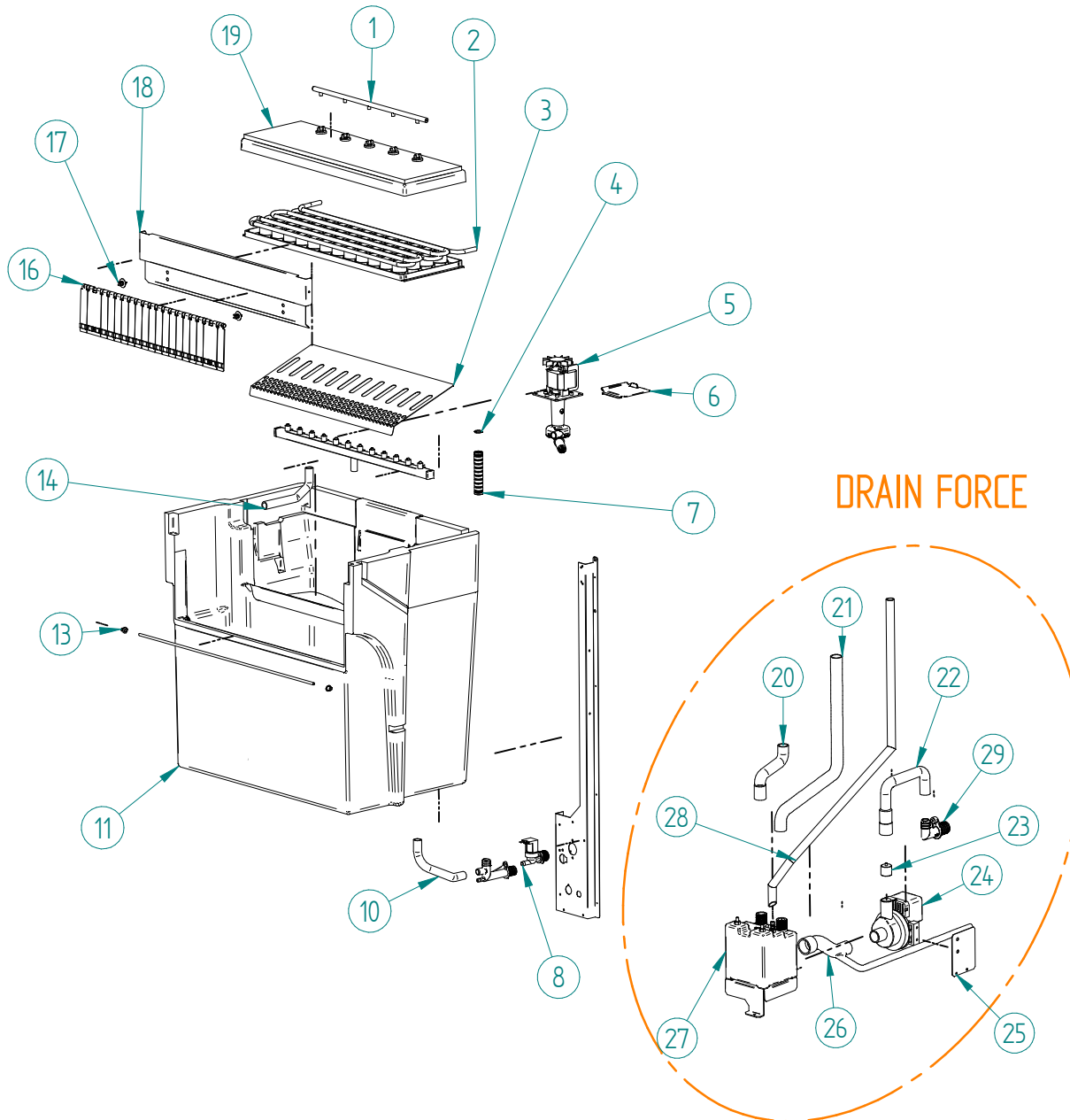


ITEM	DESCRIPTION	NG R290 (kg/lbs)			
		30/80	35-45/100	60/120	80
1	FRONT LOUVER	4185	4063	4186	4188
2	DOOR SPRING		702		
3	DOOR ASSEMBLY	5072	5030	5791	5237
4	MAIN SWITCH SUPPORT		32441		
5A	RIGHT PANEL	4219U			
5B	LEFT PANEL	4220U		489UA	1900U
6	LEFT DOOR GUARD			83	
7	MAIN SWITCH BOX			31665	
8	RIGHT DOOR GUARD			82	
9	TOP PANEL	3387A	920A	4170A	1792A
10	REAR COVER	4223	635A	4172A	1807A
11	REAR GRILL	6211	1728	4088	2192
12	LEG			1478	
13	DOOR AXE BEARING			1001	
14	DOOR AXE BUSHING			155	
15	CLIP			113	
16	DOOR BUMPER			156	
17	DOOR SCREW			392	





ITEM	DESCRIPTION	NG R290 (kg/lbs)	
			30/80
1	EVAPORATOR COVER		4901
2	EVAPORATOR	ALFA 20GR	7492
		GALA 30GR	7491
		DELTA MAX 40GR	31384
3	ICE CUBES RAMP		4945
4	OVERFLOW PIPE CAP		4427
5	O-RING		4496
6	OVERFLOW PIPE		4426
7	WATER FLOW RESTRICTOR		805
8	UPPER WATER PUMP DISCHARGE TUBE		4960
9	LOWER WATER PUMP DISCHARGE TUBE		2223
10	WATER PUMP	220V/50HZ	4769
		115V/60HZ	31982
11	PUMP SUPPORT		4956
12	WATER PUMP SUCTION TUBE		4961
13	WATER PUMP TRAY		4521
14	INLET WATER VALVE 1B	220V/50HZ	1673
		115V/60HZ	4899
14	INLET WATER VALVE 2B	220V/50HZ	6981+4526+6959
		115V/60HZ	N/A
15	DRAIN FITTING	NO UL	363
		UL	31723
16	DRAIN TUBE	NO UL	2222
			31722
		UL	31722
17	BIN		7502
18	THERMOSTAT TUBE		5984
19	THERMOSTAT JOINT		666
20	SPRAY BAR		5969
21	CURTAIN ASSEMBLY		5968
22	PLASTIC CLIP 1/4"		3533
23	CURTAIN HOLDER		4697
DRAIN FORCE			
24	DRAIN FORCE TUBE DISCHARGE BIN		32636
25	DRAIN FORCE TUBE DISCHARGE WATER BIN		32471
26	PUMP OUT DRAIN FORCE TUBE		32457
27	CHECK VALVE RX3/4		32451
28	DRAIN FORCE PUMP		32624
29	DRAIN FORCE PUMP SUPPORT		32722
30	DRAIN FORCE PUMP SUCTION TUBO		32470
31	DRAIN FORCE BUCKET SET		32625
32	VENT TUBE		1719
33	DRAIN FORCE FITTING		30850



ITEM	DESCRIPTION	NG R290 (kg/lbs)			
		35-45/100	60/120	80	
1	WATER DISTRIBUTOR	N/A	N/A	911U	
2	EVAPORATOR	ALFA 20GR	7030	7395	7258
		GALA 30GR	7423A	7400	7156
		DELTA MAX 40GR	31359A	31387	31366
		SUPER STAR 60GR	7032	7436	7323
3	ICE CUBES RAMP	SUPER STAR 60GR	4673	1147	2186
				4351	4285
4	O-RING		4496		
5	WATER PUMP	220V/50HZ	5563	5405	
		115V/60HZ	5850	N/A	
6	WATER BIN COVER		1938		
7	OVERFLOW PIPE		4426		
8	INLET WATER VALVE 1B	220V/50HZ	6980 + 4527		
		115V/60HZ	6984+4527	N/A	
		220V/50HZ	6981+6959+4527	N/A	
		115V/60HZ	N/A		
9	DRAIN FITTING	NO UL	363		
		UL	31723		
10	DRAIN TUBE	NO UL	2222		
		UL	31722		
11	BIN	7452	7388	7128	
12	THERMOSTAT TUBE	5913	5437	5422	
13	THERMOSTAT JOINT		666		
14	WATER PUMP DISCHARGE TUBE		2148		
15	SPRAY BAR		7464	7335	
		SUPER STAR 60GR	7406	7432	
16	CURTAIN ASSEMBLY	5900	5837	32887	
17	PLASTIC CLIP 1/4"	N/A	N/A	3533	
18	CURTAIN HOLDER	121A	4055A	31738	
19	EVAPORATOR COVER	4433	2297	5406	
DRAIN FORCE					
20	DRAIN FORCE TUBE DISCHARGE BIN		32456	N/A	
21	DRAIN FORCE TUBE DISCHARGE WATER BIN		32453	N/A	
22	PUMP OUT DRAIN FORCE TUBE		32457	N/A	
23	CHECK VALVE RX3/4		32451	N/A	
24	DRAIN FORCE PUMP		32624	N/A	
25	DRAIN FORCE PUMP SUPPORT		32573	N/A	
26	DRAIN FORCE PUMP SUCTION TUBO		32455	N/A	
27	DRAIN FORCE BUCKET SET		32571	N/A	
28	VENT TUBE		1719	N/A	
29	DRAIN FORCE FITTING		30850	N/A	