

NDP 55

ITV
ICE makers



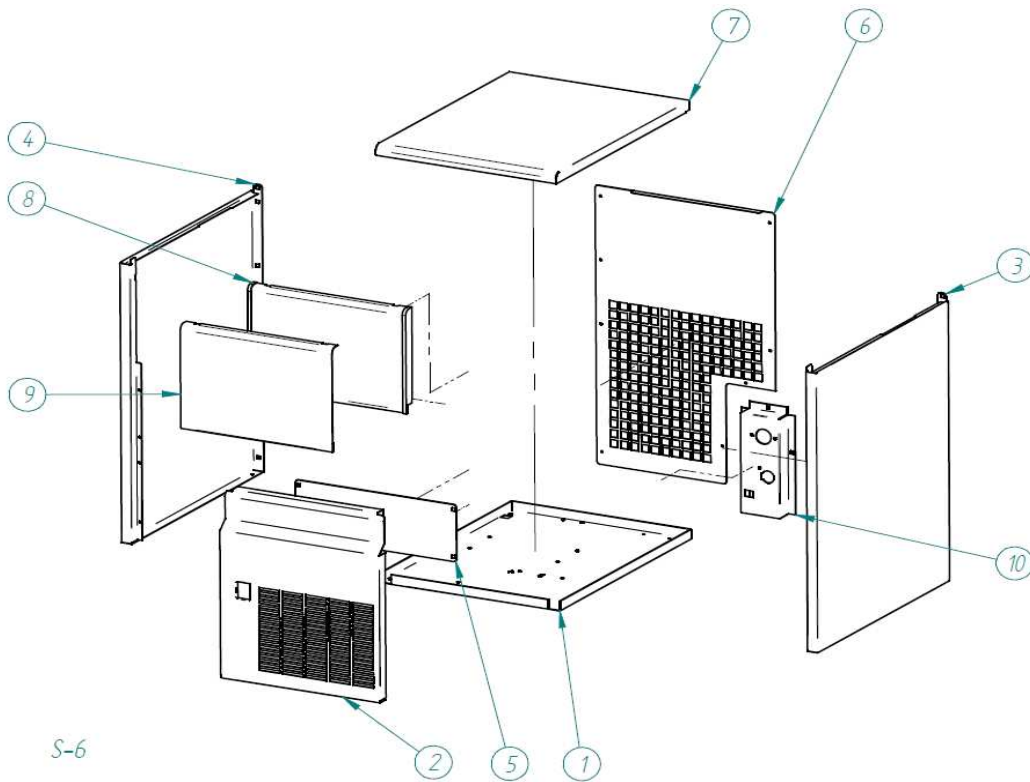
DESPIECE / REPUESTOS
EXPLODED VIEW / SPARE PARTS
EXPLOSIONSZEICHNUNG / ERSATZTEILE
VUE ÉCLATÉE / PIÈCES DÉTACHÉES
ESPLOSO / RICAMBI

ITV | ICE makers **SERVICE** 

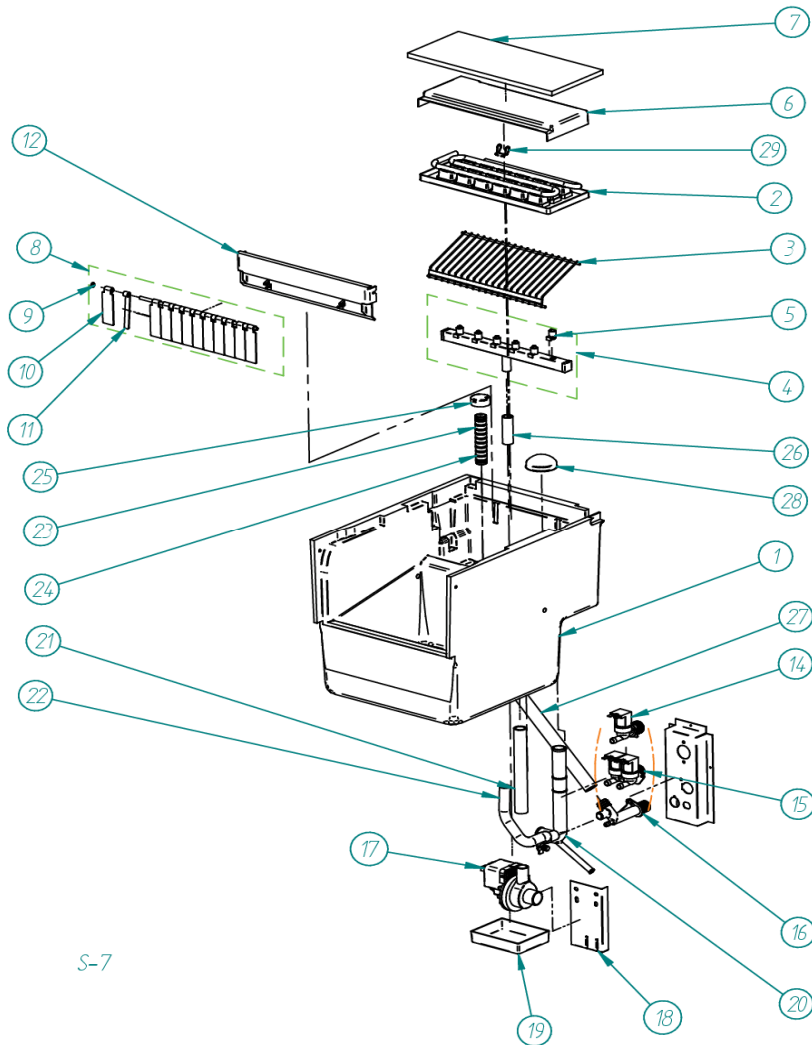
CABINET



NDP55

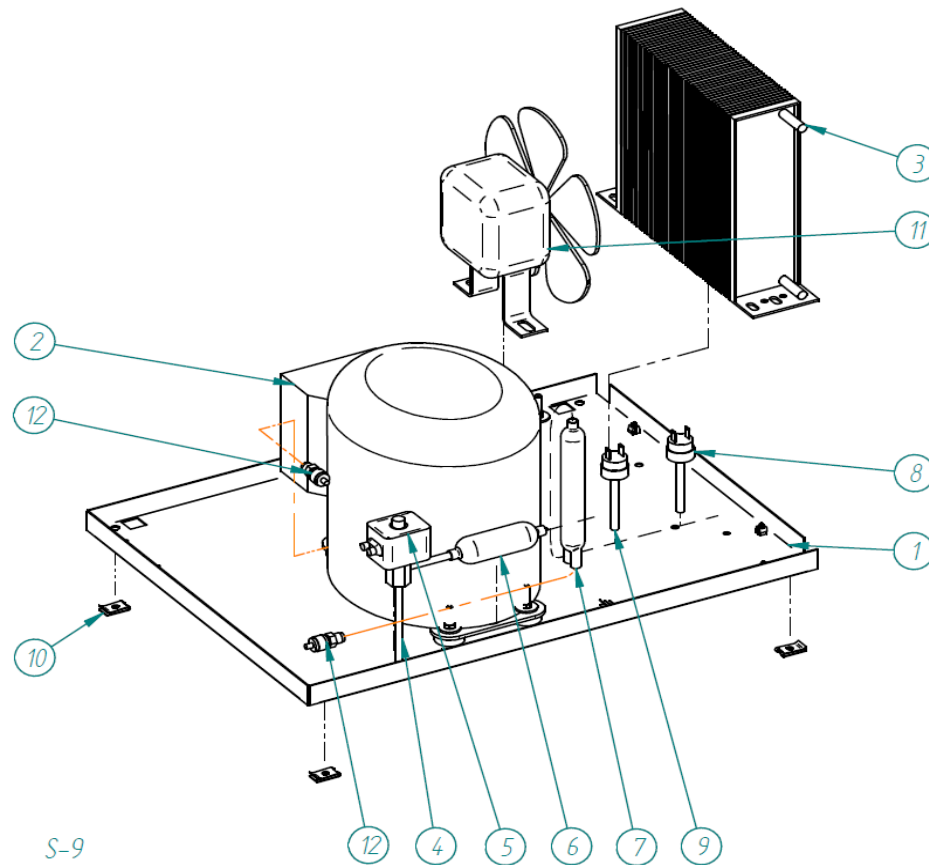


NAME		
1	BASEMENT	1300
2	FRONT PANEL	1933
3	RIGHT PANEL	2294
4	LEFT PANEL	2295
5	FRONT REINFORCEMENT	1327
6	REAR PANEL	1794
7	TOP COVER	1925
8	DOOR	853
9	DOOR COVER	1017
10	JUNCTION REINFORCEMENT	1934



S-7

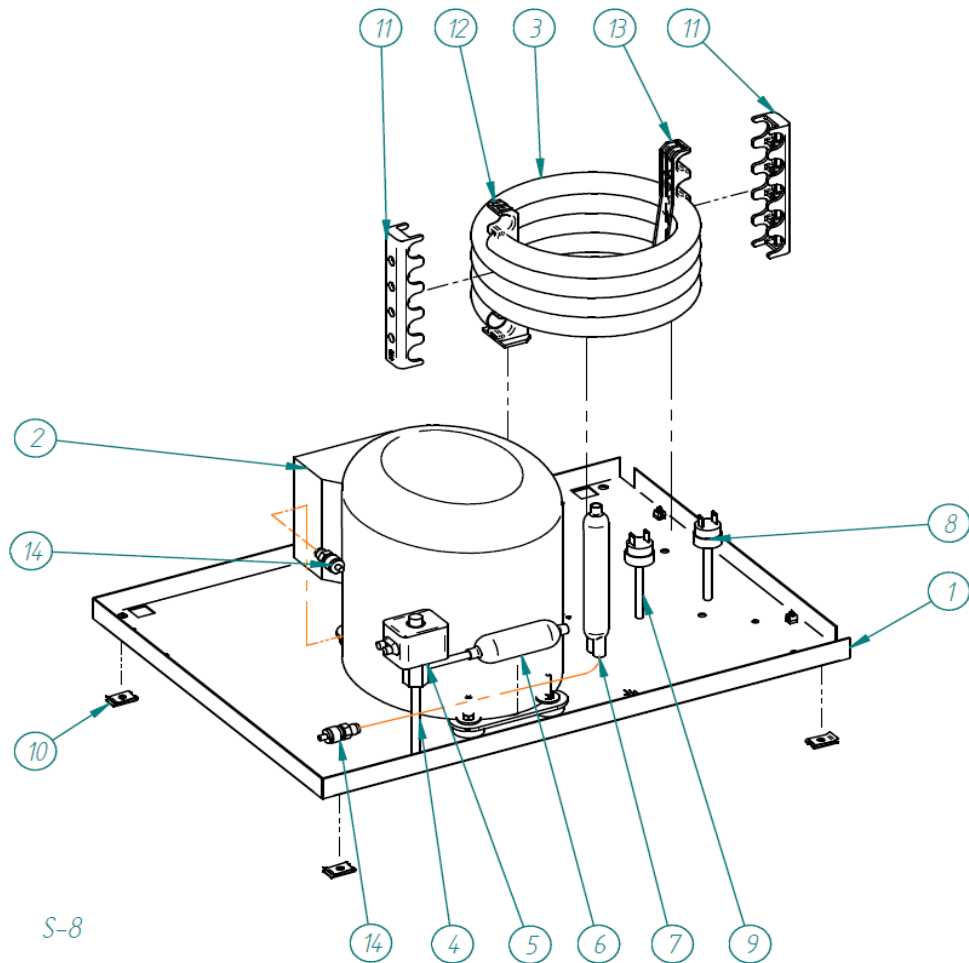
NAME		
1	SOTCK BIN	7002
2	EVAPORATOR	6921
3	ICE CUBES RAMP	31114
4	COLLECTOR	7333
5	SPRAY NOZZLE	526
6	EVAPORATOR COVER	1432
7	EVAPORATOR INSULATION	-
8	COMPLETED CURTAIN	5223
9	CURTAIN JOINT	8856
10	OUTSIDE CURTAIN	1213
11	INSIDE CURTAIN	1212
12	EVAPORATOR SUPPORT	1435
13	CURTAIN CLIP	3533
	ELECTROVALVE 1B 115V/60HZ	6984+6959
	ELECTROVALVE 1B/1B 115V/60HZ	4900
16	DRAIN COLLECTOR	363
17	PUMP	31982
	PUMP before 18230772	32049
	PUMP SUPPORT	32023
18	PUMP SUPPORT before 18230772	4613
19	PUMP TRAY	4521
20	SUCTION PIPE	4961
21	FORCE PIPE	4744
22	DRAIN PIPE	2189
23	OVERFLOW PIPE	4426
24	SEAL JOINT	4496
25	OVERFLOW CAP	4427
26	COLLECTOR PIPE	993
27	DRAIN TUBE	2752
28	FILTER	580
29	TUBE CLIP	4534



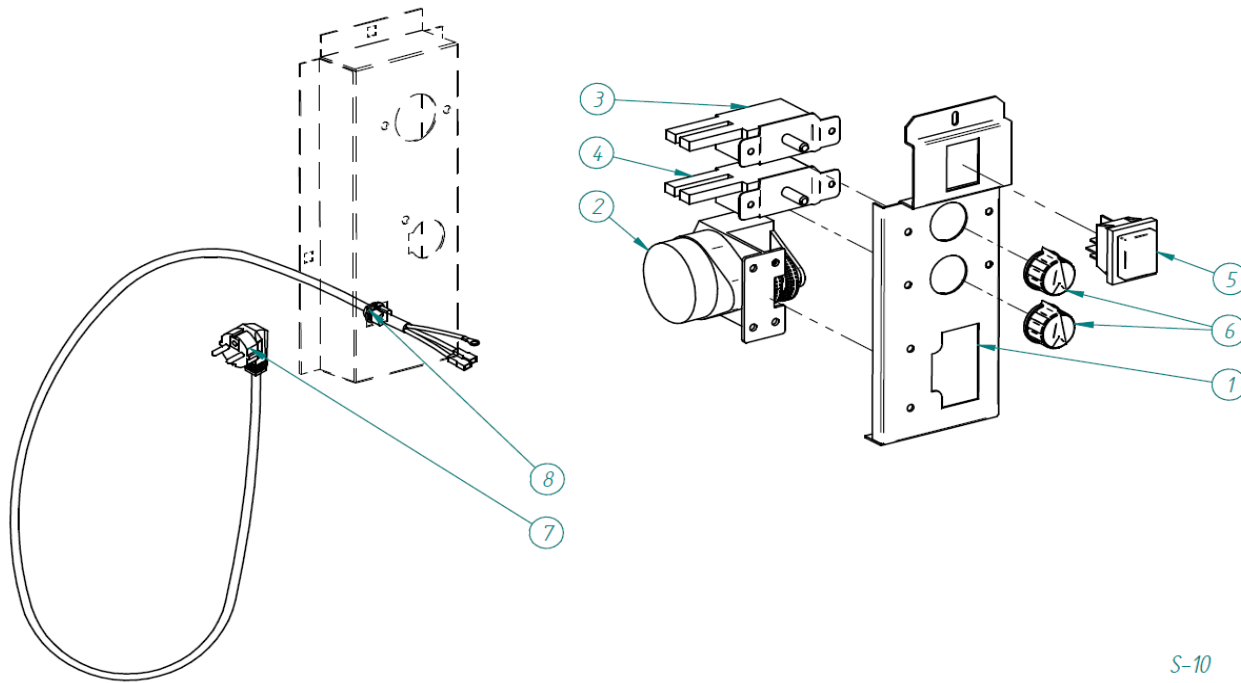
S-9

NAME		
1	BASEMENT	1300
2	COMPRESSOR	115V/60H 2800
3	CONDENSER	6907
		UNTIL S/N 1291829 2423
4	HOT GAS VALVE	762
5	COIL 115V/60HZ	5414
6	FILTER	1570
7	DRIER	6856
8	CONDENSATION PRESSURE SWITCH	7476E
9	HIGH PRESSURE SWITCH	334
10	CLAMP	5284
11	CONDENSER FAN	115V/60HZ 2163
12	REFRIGERATION LOAD VALVE	335

WATER CONDENSER UNIT



NAME		
1	BASEMENT	1300
2	COMPRESSOR 115V/60HZ	2800
3	WATER CONDENSER	5224
4	HOT GAS VALVE	1473
5	COIL 115V/60HZ	5414
6	FILTER	448A
7	DRIER	6856
8	CONDENSATION PRESSURE SWITCH	7476E
9	HIGH SWITCH PRESSURE	4528
10	CALMP	309
11	OUTSIDE BRACKET	4038
12	HIGH BRACKET	4037
13	LOW BRACKER	4036
14	REFRIGERATION LOAD VALVE	335



NAME		
1	ELECTRIC BOARD	1988
2	15' TIMER	115V/60HZ 6250C
3	CYCLE THERMOSTAT	4513
4	STOCK THERMOSTAT	274
5	SWITCH	2287
6	THERMOSTAT BUTTON	272
7	ATTACHMENT PLUG 115V/60HZ	2771
8	CABLE LOCKER 115V/60HZ	4907