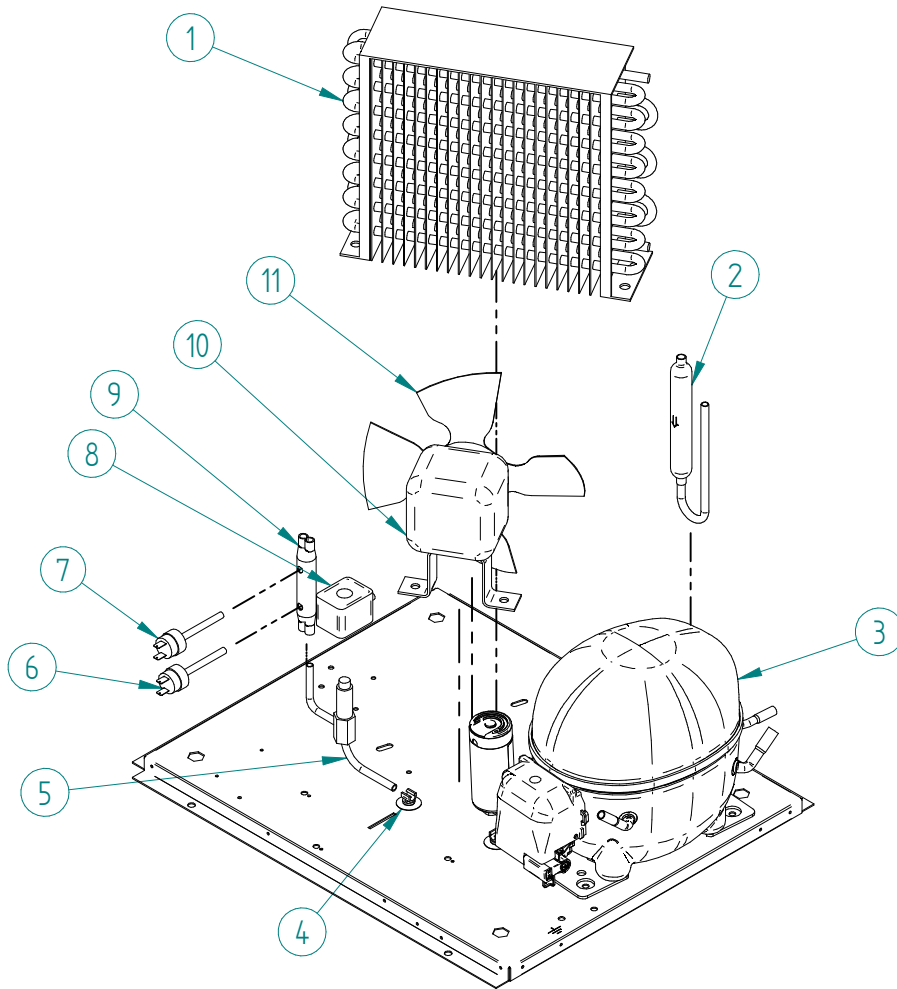


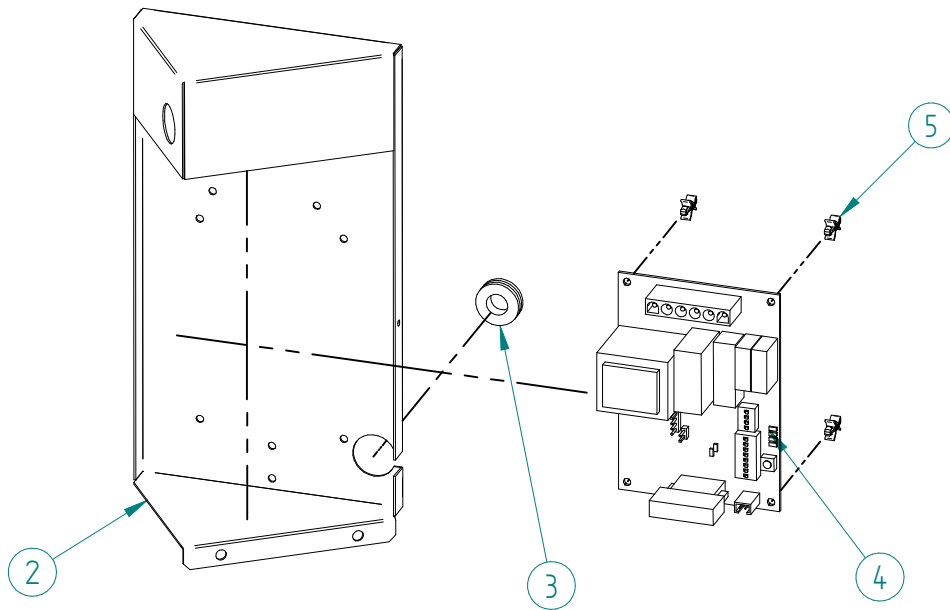
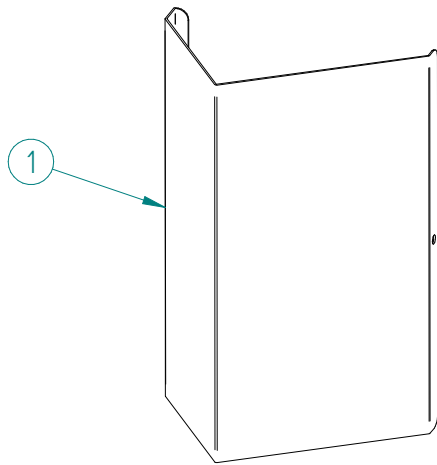
ITV
ICE makers



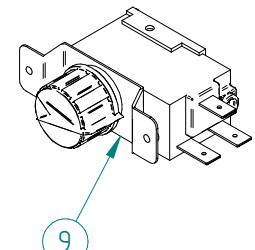
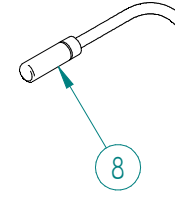
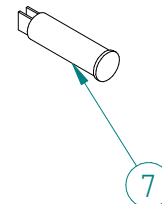
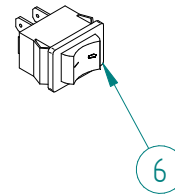
DESPIECE / REPUESTOS
EXPLODED VIEW / SPARE PARTS
EXPLOSIONSZEICHNUNG / ERSATZTEILE
VUE ÉCLATÉE / PIÈCES DÉTACHÉES
ESPLOSO / RICAMBI

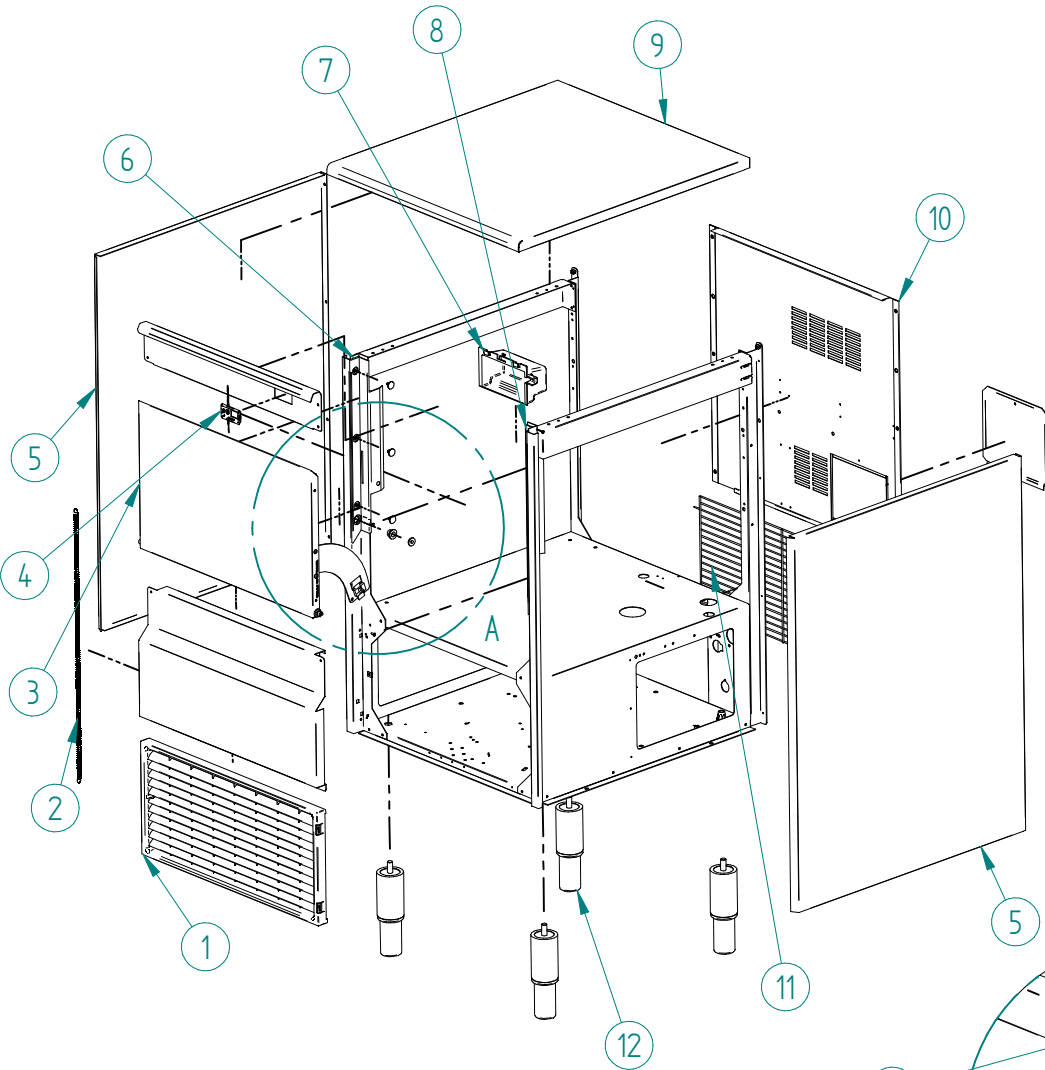


| ITEM | DESCRIPTION | NG R290 | | |
|------|-----------------------------|-----------|---------|---------|
| | | 80 | 120 | 150 |
| 1 | AIR CONDENSER | 31531 | 486 | 487 |
| 2 | FILTER DRIER | | 7896 | |
| 3 | COMPRESSOR | 115V/60HZ | 32584 | 32727 |
| | COMPRESSOR ELECTRIC KIT | 115V/60HZ | 32584EK | 32727EK |
| 4 | CLIP TUBE | | 3533 | |
| 5 | HOT GAS VALVE - BODY | | 1473 | |
| 6 | HIGH PRESSURE SWITCH | | 31660E | |
| 7 | FAN CONTROL PRESSURE SWITCH | | 31160E | |
| 8 | HOT GAS VALVE - COIL | 115V/60HZ | 5414 | |
| 9 | PRESSURE SWITCH COLLECTOR | | 31444 | |
| 10 | FAN MOTOR | 115V/60HZ | 4889 | 4890 |
| 11 | FAN BLADE | | 4887 | |

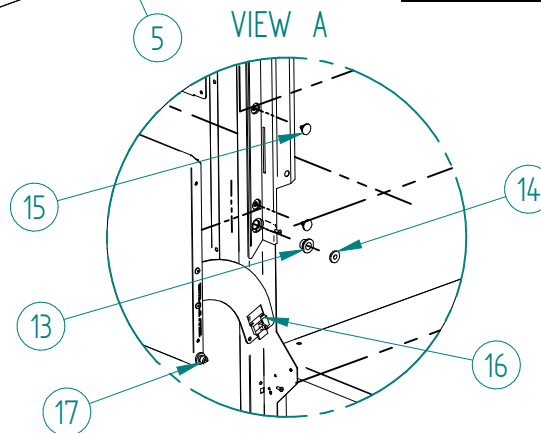


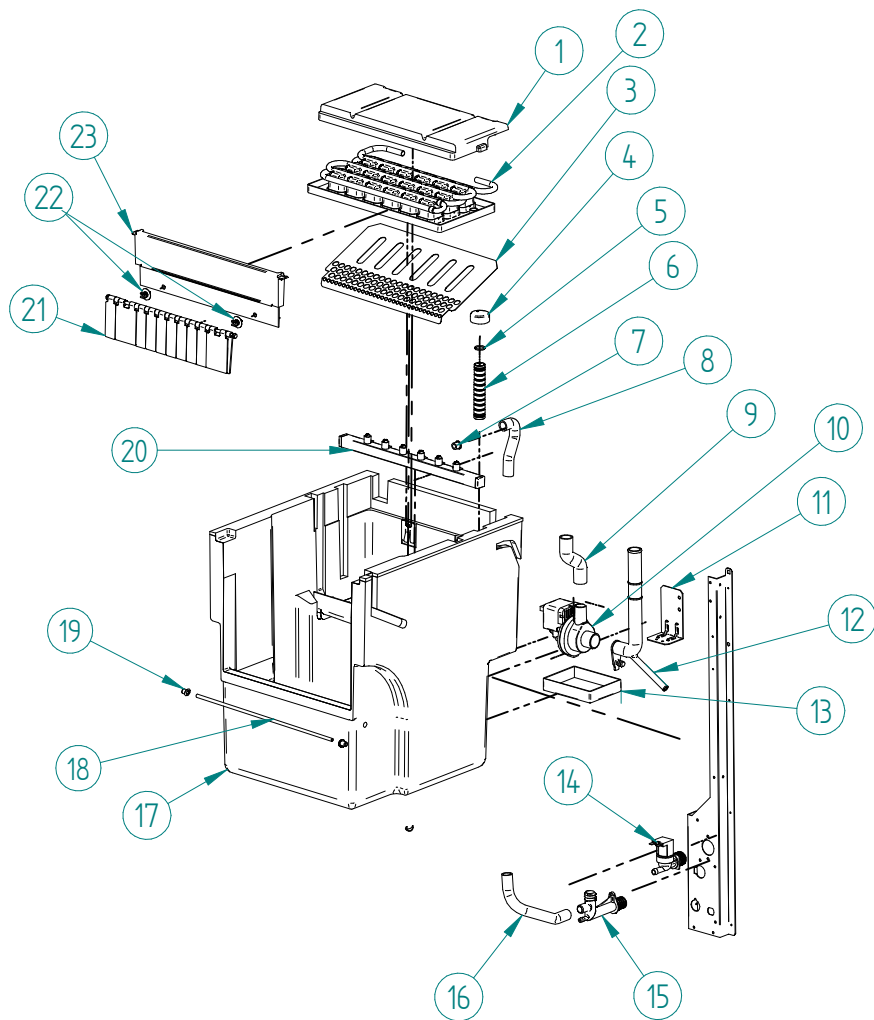
| ITEM | DESCRIPTION | MODEL | | |
|------|----------------------------|--------|--------|-----|
| | | 80 | 120 | 150 |
| 1 | ELECTRIC BOX COVER | 31667A | 31571A | |
| 2 | ELECTRIC BOX SUPPORT | 31668A | 31823A | |
| 3 | WIRE HOLE | 31746 | | |
| 4 | ELECTRONIC BOARD 115V/60HZ | 30595E | | |
| 5 | ELECTRONIC BOARD CLIP | 31544 | | |
| 6 | MAIN SWITCH | 32416 | | |
| 7 | BLUE LED | 32415 | | |
| 8 | TEMPERATURE PROBE | 32644 | | |
| 9 | BIN THERMOSTAT | 31758 | | |



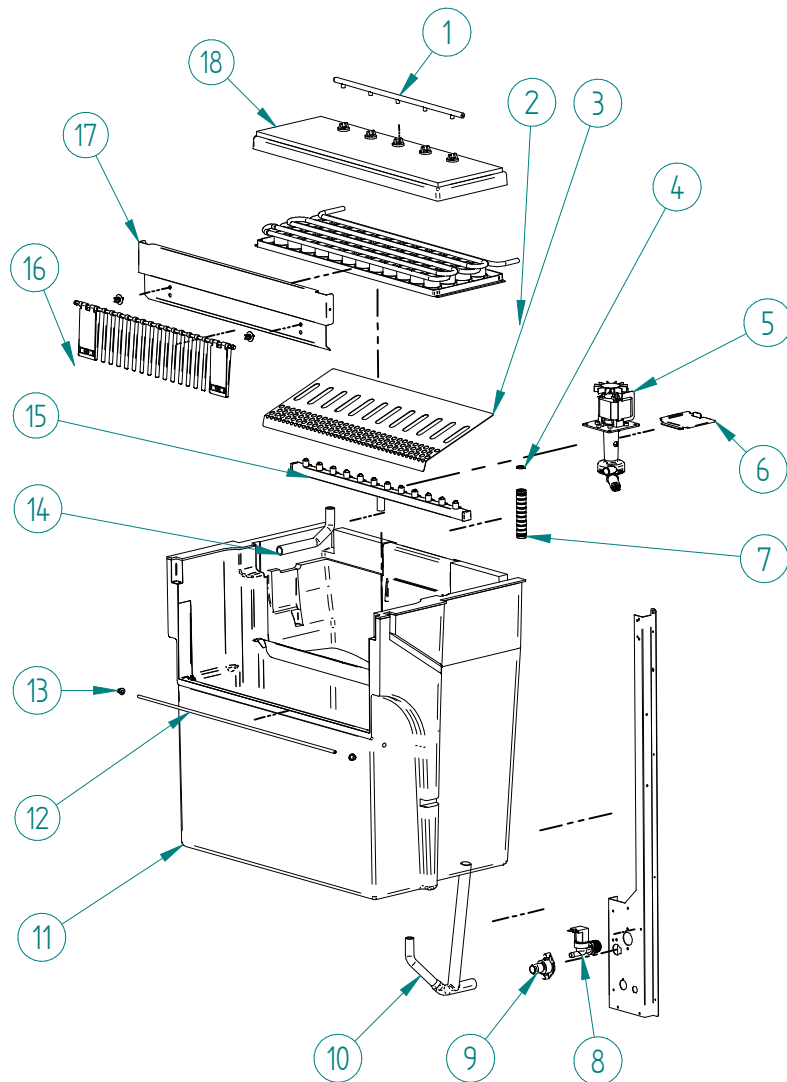


| ITEM | DESCRIPTION | MODEL | | |
|------|---------------------|-------|-------|-------|
| | | 80 | 120 | 150 |
| 1 | FRONT LOUVER | 4185 | 4063 | 4186 |
| 2 | DOOR SPRING | | 702 | |
| 3 | DOOR ASSEMBLY | 5072 | 5030 | 5791 |
| 4 | MAIN SWITCH SUPPORT | | 32441 | |
| 5A | RIGHT PANEL | 4219U | 489UA | |
| 5B | LEFT PANEL | 4220U | | |
| 6 | LEFT DOOR GUARD | | 83 | |
| 7 | MAIN SWITCH BOX | | 31665 | |
| 8 | RIGHT DOOR GUARD | | 82 | |
| 9 | TOP PANEL | 3387A | 920A | 4170A |
| 10 | REAR COVER | 4223 | 635A | 4172A |
| 11 | REAR GRILL | 6211 | 1728 | 4088 |
| 12 | LEG | | 1478 | |
| 13 | DOOR AXE BEARING | | 1001 | |
| 14 | DOOR AXE BUSHING | | 155 | |
| 15 | CLIP | | 113 | |
| 16 | DOOR BUMPER | | 156 | |
| 17 | DOOR SCREW | | 392 | |





| ITEM | DESCRIPTION | MODEL |
|------|---------------------------------|--|
| | | 80 |
| 1 | EVAPORATOR COVER | 4901 |
| | EVAPORATOR | GALA 30GR DELTA MAX 40GR 7491 31384 |
| 3 | ICE CUBES RAMP | 4945A |
| 4 | OVERFLOW PIPE CAP | 4427 |
| 5 | O-RING | 4496 |
| 6 | OVERFLOW PIPE | 4426 |
| 7 | WATER FLOW RESTRICTOR | 805 |
| 8 | UPPER WATER PUMP DISCHARGE TUBE | 4960 |
| 9 | LOWER WATER PUMP DISCHARGE TUBE | 2223 |
| 10 | WATER PUMP | 115V/60HZ 31982 |
| 11 | PUMP SUPPORT | 32022 |
| 12 | WATER PUMP SUCTION TUBE | 4961 |
| 13 | WATER PUMP TRAY | 4521 |
| 14 | INLET WATER VALVE 1B | 115V/60HZ 4899 |
| 15 | DRAIN FITTING | 31723A |
| 16 | DRAIN TUBE | 31722 |
| 17 | BIN | 7502 |
| 18 | THERMOSTAT TUBE | 5984 |
| 19 | THERMOSTAT JOINT | 666 |
| 20 | SPRAY BAR | 5969 |
| 21 | CURTAIN ASSEMBLY | 5968 |
| 22 | CLIP TUBE | 3533 |
| 23 | CURTAIN HOLDER | 4697 |



| ITEM | DESCRIPTION | MODEL | |
|------|---------------------------|----------------|-------------|
| | | 120 | 150 |
| 1 | WATER DISTRIBUTOR | N/A | N/A |
| 2 | EVAPORATOR | GALA 30GR | 7423B |
| | | DELTA MAX 40GR | 7400A |
| 3 | ICE CUBES RAMP | 31359B | 31387A |
| 4 | O-RING | 4673 | 1147 |
| 5 | WATER PUMP | 4496 | |
| 6 | WATER BIN COVER | 5850A | |
| 7 | OVERFLOW PIPE | 1938 | |
| 8 | INLET WATER VALVE | 115V/60HZ | 4426 |
| | | 115V/60HZ | 6984 + 4527 |
| 9 | DRAIN FITTING | 6984 + 33033 | |
| 10 | DRAIN TUBE | 31723A | |
| 11 | BIN | 31722 | |
| 12 | THERMOSTAT TUBE | 7452 | 7388 |
| 13 | THERMOSTAT JOINT | 5913 | 5437 |
| 14 | WATER PUMP DISCHARGE TUBE | 666 | |
| 15 | SPRAY BAR | 2148 | |
| 16 | CURTAIN ASSEMBLY | 7464 | 7406 |
| 17 | CURTAIN HOLDER | 5900 | 5837 |
| 18 | EVAPORATOR COVER | 121A | 4055A |
| | | 4433A | 2297A |