



GALA Cube

GALA UNDER THE COUNTER NG 75 / NG 95 / NG 135 ICE CUBE MAKERS



GALA NG 75

Daily Production / Ice Storage

59 Lbs./ 24 Lbs.

27 kg./ 11 kg.



GALA NG 95

Daily Production / Ice Storage

90 Lbs./ 37 Lbs.

41 kg./ 17 kg.



GALA NG 135

Daily Production / Ice Storage

121 Lbs./ 44 Lbs.

55 kg./ 20 kg.

GALA UNDER THE COUNTER NG 75 / NG 95 / NG 135 ICE CUBE MAKERS

Standard Features



SPRAY SYSTEM (NOZZLES)

The spray nozzle, patented by ITV, does not allow calcareous build-up and produces solid transparent ice cubes which take longer to melt.



DYNAMIC PRODUCTION

The water is constantly circulating and the ice gradually forms in thin layers, avoiding trapped gasses and producing crystal clear ice cubes. Only the purest of ice cubes are produced.



SILENT RAIN

All parts in contact with water have been designed to minimize their friction resulting in a very low noise level.



ELECTROMECHANICAL CONTROLS

The machine works with electromechanical timer and thermostats. Simple, easy to comprehend and service. High reliability and low maintenance expense.



DUAL SWITCH

External switch allows to turn the machine on/off easily. Removing the top cover, we have the ice/wash switch on one side of the electrical box.



STRONG INOX FRAME. 304 STAINLESS STEEL CONSTRUCTION

Box-type frame with stainless steel supports, makes the machine stronger and allows servicing operation without disassembling the entire machine.



EASY ACCESS FOR SERVICE AND INSTALLATION

Designed to have better access to all components making installation and servicing operations easier. One person can disassemble the entire machine with a basic screwdriver.



FRONT VENTILATION

Condensing unit permits 100% front ventilation, air inflow and outflow through the front grill.



INSULATED STORAGE BIN

Storage bin with polyurethane foam insulation gives higher rigidity with lower heat transmission. Isolated but not refrigerated bins.



OPERATING LIMITS

Tropicalized machines (Class T); Suitable for low temperature environments of 41° (5°C) Air and Water and high temperature environments of 109°F (43°C) (Air), 95°F (35°C) (Water) Water pressure: Min. 10 psi. (0.7 bar.)/ Max. 85 psi. (6 bar.).

NOTE: Install a pressure reducer if water inlet pressure is more than 85 psi. (6 bar.).



ELECTRICAL SPECIFICATIONS

115V/60Hz./1 - Fuse Size 15-20 - Nema Plug Type 5-15P. Also available 220V/50Hz. (Special order only.)



WARRANTY

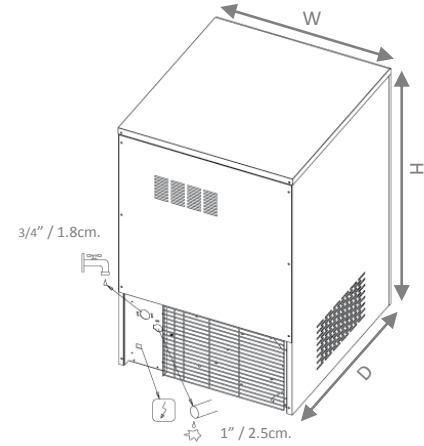
36 months parts and labor + 24 additional months parts on compressor and evaporator.

GALA UNDER THE COUNTER NG 75 / NG 95 / NG 135 ICE CUBE MAKERS

Dimensions (Inch./Cm.)

GALA	W	D	H
NG 75	16" / 41 cm.	20 1/4" / 52 cm.	29 5/8" / 75 cm.
NG 95	18 1/4" / 47 cm	23 3/8" / 60 cm.	31 1/4" / 80 cm.
NG 135	21 1/8" / 54 cm.		

Dimensions do not include adjustable legs from 4" (10.2 cm.) to 6" (15.2 cm.)
Units do not require legs for usage. (Local municipal requirement rules may vary)



4" to 6" / 10.2 cm. to 15.2 cm. Leveling Legs
Drain Height 5.5" / 13.7cm.

General Specifications

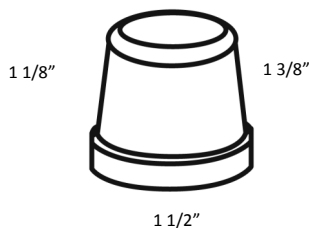
GALA		Production				Cubes	Storage	Water Usage		Power W	Amps.	R404A oz.	Net Weight	Filtration Kit
		70°F Air/50°F Water		90°F Air/70°F Water				gal./hr. / l./ hr.	90°F/70°F					
Item #	Model #	Lbs./ 24 h.	Kg./ 24 h.	Lbs./ 24 h.	Kg./ 24 h.	Cycle	Lbs./ Kg.					Lbs./ Kg.		
13034	NG 75 A	59	27	46	21	18	24/11	1.10/4.00	425	6.2	6	88/40	CS-101 K	
13035	NG 75 W*	70	32	55	25	18	24/11		425	6.2	5.3	88/40		
13044	NG 95 A	90	41	70	32	24	37/17	2.60/10.0	550	7.2	9.88	99/45	CS-101 K	
13045	NG 95 W*	97	44	75	34	24	37/17		550	7.2	9.18	99/45		
13054	NG 135 A	121	55	95	43	36	44/20	4.20/16.00	650	9.4	11.65	128/58	CS-101 K	
13055	NG 135 W*	141	64	110	50	45	44/20		650	9.4	10.24	128/58		

A: Air—Cooled / W: Water—Cooled. *Water Cooled Units: Available special order only with restrictions/requirements. Please contact your dealer for details.

Shipping Weight: NG 75: 141 Lbs. (64 Kg.), NG 95: 161 Lbs. (73 Kg.), NG 135: 185 Lbs. (84 Kg.)

Due to our continuous efforts for improving and developing our range of products, ITV Ice Makers, Inc. reserves the right of changing features with no previous notice.

Ice Shape



GALA Cubes